



City Council Memorandum

To: Honorable Mayor Billings and Members of the Fate City Council

Cc: Michael Kovacs, City Manager

Vickey Raduechel, City Secretary

Brenda McDonald, City Attorney

From: Steve Gilbert, Director of Community Services and Building Safety;

Date: June 21, 2021

Agenda Item and Caption: Discuss, consider, and take any necessary action regarding approval of a ordinance amending chapter 6 Building, Building regulations article ii technical codes of the code of ordinance replacing sections 6-24 through 6-30, and adding new sections 6-24- through 6-30 adopting the 2018 international codes and associated amendments as recommended by the North Central Texas Council of Governments.

Action Requested: Approval.

Staff Recommendation: Approval

Background Information: The international code council reviews and updates all ICC codes on a three-year cycle. The codes are routinely updated to address changes in technology, current construction trends and the collective learned experience of Building Officials and construction professionals. The city of fate has currently operated under the 2015 version of the codes. The department goal is to be within one cycle of the most current version to ensure the City of Fate building construction maintains current with construction technology and current construction trends.

Options: Approve; Deny; Deny and offer condition(s) for approval; or Table for further review.

Financial Considerations: N/A.

Supporting Documents (enclosed):

- **Exhibit A1.** Ordinance
- **Exhibit A2.** Amendments

ORDINANCE NO. _____

AN ORDINANCE OF THE CITY COUNCIL OF THE CITY OF FATE, TEXAS, AMENDING CHAPTER 6 OF THE CODE OF ORDINANCES BY REPEALING IN ITS ENTIRETY ARTICLE II. DIVISION I (TECHNICAL CODES); AND ADOPTING A NEW ARTICLE II, DIVISION I TO ADOPT NEW TECHNICAL CODES INCLUDING THE INTERNATIONAL BUILDING CODE 2018 EDITION, WITH AMENDMENTS; INTERNATIONAL EXISTING BUILDING CODE, 2018 EDITION, WITH AMENDMENTS; INTERNATIONAL FIRE CODE 2018 EDITION, WITH AMENDMENTS; INTERNATIONAL RESIDENTIAL CODE 2018 EDITION WITH AMENDMENTS; INTERNATIONAL MECHANICAL CODE 2018 EDITION, WITH AMENDMENTS; INTERNATIONAL PLUMBING CODE 2018 EDITION, WITH AMENDMENTS; INTERNATIONAL FUEL GAS CODE 2018 EDITION, WITH AMENDMENTS; NATIONAL ELECTRIC CODE 2020 EDITION; INTERNATIONAL ENERGY CONSERVATION CODE 2018 EDITION, WITH AMENDMENTS; INTERNATIONAL SWIMMING POOL CODE 2018 EDITION, WITH AMENDMENTS; AND PROVIDING A PENALTY CLAUSE; PROVIDING A SAVINGS CLAUSE; PROVIDING A CUMULATIVE CLAUSE; PROVIDING A SEVERABILITY CLAUSE; PROVIDING A SAVINGS CLAUSE; PROVIDING FOR A PENALTY OF FINE NOT TO EXCEED THE SUM OF TWO THOUSAND DOLLARS (\$2000); AND PROVIDING FOR AN EFFECTIVE DATE.

WHEREAS, the International Code Council (ICC) has developed a set of comprehensive and coordinated national model codes (known generally as the “International Codes”); and

WHEREAS, the National Fire Protection Association (NFPA) has developed a national model electric code; and

WHEREAS, the City Council of the City of Fate, pursuant to provisions of the Texas Local Government Code, has the authority to regulate the construction within the city limits; and

WHEREAS, the City’s technical codes are intended to be updated periodically, with the 2018 editions of the International Codes and the 2020 National Electric Code maintaining consistency with the surrounding municipalities: and

WHEREAS, the City Council of the City of Fate, has determined that it is in the best interest of the residents of the City of Fate to adopt the 2018 editions of the International Codes, and the 2020 National Electric Code as stated herein, as the minimum standard for construction use, occupancy, and maintenance of buildings and structures within the City of Fate.

NOW, THEREFORE, BE IT ORDAINED BY THE CITY COUNCIL OF THE CITY OF FATE, TEXAS, THAT:

Section 1. FINDINGS INCORPORATED

The findings set forth above are incorporated herein for all purposes.

Section 2. ADOPTION OF CODES

Chapter 6, Article II. – Technical Codes, of the Fate Code of Ordinances is hereby repealed in its entirety and a new Article II. – Technical Codes is created and shall read in its entirety as set forth in **Exhibit A** which is attached hereto and incorporated as if fully set forth herein.

Section 3. PENALTY CLAUSE

Any person, firm or corporation violating any of the provisions or terms of this Ordinance shall be subject to a penalty as provided by Section 1-14 of the Code of Ordinances of the City of Fate, Texas.

Section 4. SAVINGS CLAUSE

All rights and remedies of the City of Fate, Texas, are expressly saved as to any and all violations of the provisions of this Ordinance or any other ordinance which have accrued at the time of the effective date of this Ordinance; and, as to such accrued violations and all pending litigation, both civil and criminal, whether pending in court or not, under such ordinances, same shall not be affected by this Ordinance but may be prosecuted until final disposition by the courts.

Section 5. CUMULATIVE CLAUSE

This Ordinance shall be cumulative of all provisions of state or federal law and other ordinances of the City of Fate, Texas, except where the provisions of this ordinance are in direct conflict with the provisions of such ordinances, in which event the conflicting provisions of such ordinances are hereby repealed.

Section 6. SEVERABILITY CLAUSE

It is hereby declared to be the intention of the City Council that the phrases, clauses, sentences, paragraphs and sections of this ordinance are severable, and if any phrase, clause, sentence, paragraph or section of this ordinance shall be declared unconstitutional by the valid judgment or decree of any court of competent jurisdiction, such unconstitutionality shall not affect any of the remaining phrases, clauses, sentences, paragraphs and sections of this Ordinance, since the same would have been enacted by the City Council without the incorporation of this Ordinance of any such unconstitutional phrase, clause, sentence, paragraph or section.

Section 7. REPEALER CLAUSE

Any provisions of any prior ordinance of the City whether codified or uncodified, which are in conflict with any provision of the Ordinance, are hereby repealed to the extent of the conflict, but all other provisions of the ordinances of the City whether codified or uncodified, which are not

in conflict with the provisions of this Ordinance, shall remain in full force and effect.

Section 8. EFFECTIVE DATE

This Ordinance shall become effective immediately upon its passage and publication as required by law.

PASSED, APPROVED AND ADOPTED by the City Council of the City of Fate, Texas, on this the 21st day of June, 2021.

David Billings, Mayor

ATTEST:

Victoria Raduechel, City Secretary

APPROVED AS TO FORM:

Brenda N. McDonald, City Attorney

EXHIBIT A

Sec. 6-24. Building Code

The International Building Code 2018 edition, as amended herein, is hereby adopted as the building code of the City. A copy of such code will be kept in the City Secretary's office and be available for public inspection at all times during regular hours.

(a) Amendments

The following sections, paragraphs, and sentences, of the International Building code, 2018 edition, are hereby amended to read as follows:

****Section 101.4; change to read as follows:**

101.4 Referenced codes. The other codes listed in Sections 101.4.1 through 101.4.8 and referenced elsewhere in this code, when specifically adopted, shall be considered part of the requirements of this code to the prescribed extent of each such reference. Whenever amendments have been adopted to the referenced codes and standards, each reference to said code and standard shall be considered to reference the amendments as well. Any reference to NFPA 70 or the Electrical Code shall mean the Electrical Code as adopted.

****Section 101.4.8; add the following:**

101.4.8 Electrical. The provisions of the Electrical Code shall apply to the installation of electrical systems, including alterations, repairs, replacement, equipment, appliances, fixtures, fittings and appurtenances thereto.

**** Section 103 and 103.1; amend to insert the Department Name**

CITY OF FATE DEPARTMENT OF BUILDING SAFETY

103.1 Creation of enforcement agency. The City of Fate department of Building Safety is hereby created and the official in charge thereof shall be known as the *building official*.

****Section 105.2 Work exempt from permit; under sub-title entitled "Building" delete items 1, 2, 10 and 11 and re-number as follows:**

Building:

- ~~1. One-story detached accessory structures used as tool and storage sheds, playhouses and similar uses, provided the floor area does not exceed 120 square feet (11 m²).~~
- ~~2. Fences not over 7 feet (1829 mm) high.~~
- ~~3. 1. (Remainder Unchanged)~~

- 4. 2. (Remainder Unchanged)
- 5. 3. (Remainder Unchanged)
- 6. 4. Sidewalks and driveways not more than 30 inches (762mm) above adjacent grade, and not over any basement or story below and not part of an accessible route.
- 7. 5. (Remainder Unchanged)
- 8. 6. (Remainder Unchanged)
- 9. 7. (Remainder Unchanged)
- 10. ~~Shade cloth structures constructed for nursery or agricultural purposes, not including service systems.~~
- 11.8. (Remainder Unchanged)
- 12.9. (Remainder Unchanged)
- 13.10. (Remainder Unchanged)

****Section 109; add Section 109.7 to read as follows:**

109.7 Re-inspection Fee. A fee as established by city council resolution may be charged when:

- 1. The inspection called for is not ready when the inspector arrives;
- 2. No building address or permit card is clearly posted;
- 3. City approved plans are not on the job site available to the inspector;
- 4. The building is locked or work otherwise not available for inspection when called;
- 5. The job site is red-tagged twice for the same item;
- 6. The original red tag has been removed from the job site.
- 7. Failure to maintain erosion control, trash control or tree protection.

Any re-inspection fees assessed shall be paid before any more inspections are made on that job site.

****Section 109; add Section 109.8, 109.8.1, 109.8.2 and 109.9 to read as follows:**

109.8 Work without a permit.

109.8.1 Investigation. Whenever work for which a permit is required by this code has been commenced without first obtaining a permit, a special investigation shall be made before a permit may be issued for such work.

109.8.2 Fee. An investigation fee, in addition to the permit fee, shall be collected whether or not a permit is subsequently issued. The investigation fee shall be equal to the amount of the permit fee required by this code or the city fee schedule as applicable. The payment of such investigation fee shall not exempt the applicant from compliance with all other provisions of either this code or the technical codes nor from penalty prescribed by law.

109.9 Unauthorized cover up fee. Any work concealed without first obtaining the required inspection in violation of Section 110 shall be assessed a fee as established by the city fee schedule.

*****Section 110.3.5; Lath, gypsum board and gypsum panel product inspection; Delete exception**

~~**Exception :** *Gypsum board and gypsum panel products that are not part of a fire resistance rated assembly or a shear assembly.*~~

*****Section 202; amend definition of Ambulatory Care Facility as follows:**

AMBULATORY CARE FACILITY. ~~Buildings or portions thereof used to provide medical, surgical, psychiatric, nursing or similar care on a less than 24-hour basis to individuals who are rendered incapable of self-preservation by the services provided or staff has accepted responsibility for care recipients already incapable. This group may include but not be limited to the following:~~

- ~~- Dialysis centers~~
- ~~- Sedation dentistry~~
- ~~- Surgery centers~~
- ~~- Colonic centers~~
- ~~- Psychiatric centers~~

****Section 202; add definition of Assisting Living Facilities to read as follows.**

ASSISTED LIVING FACILITIES. *A building or part thereof housing persons, on a 24-hour basis, who because of age, mental disability or other reasons, live in a supervised residential environment which provides personal care services. The occupants are capable of responding to an emergency situation without physical assistance from staff.*

****Section 202; change definition of "Atrium" as follows:**

ATRIUM. An opening connecting ~~two~~ three or more stories... *{Balance remains unchanged}*

*****Section 202; add-amend definition of “Repair Garage” as follows:**

REPAIR GARAGE. A building, structure or portion thereof used for servicing or repairing motor vehicles. This occupancy shall also include garages involved in minor repair, modification and servicing of motor vehicles for items such as lube changes, inspections, windshield repair or replacement, shocks, minor part replacement and other such minor repairs.

****Section 202; amend definition of SPECIAL INSPECTOR to read as follows:**

SPECIAL INSPECTOR. A qualified person employed or retained by an approved agency who shall prove to the satisfaction of the registered design professional in responsible charge and approved by the Building Official as having the competence necessary to inspect a particular type of construction requiring special inspection.

Option B

****Section 202; amend definition to read as follows:**

HIGH-RISE BUILDING. A building with an occupied floor located more than ~~75 55 feet (22 860 mm)~~ (16 764 mm) above the lowest level of fire department vehicle access.

*****Section 303.1.3; add a sentence to read as follows:**

303.1.3 Associated with Group E occupancies. A room or space used for assembly purposes that is associated with a Group E occupancy is not considered a separate occupancy, Except when applying the assembly requirements of Chapters 10 and 11.

****Section 304.1; add the following to the list of occupancies:**

Fire stations

Police stations with detention facilities for 5 or less

****Section 307.1.1; add the following sentence to Exception 4:**

4. Cleaning establishments... {Text unchanged} ...with Section 707 or 1-hour horizontal assemblies constructed in accordance with Section 711 or both. See also IFC Chapter 21, Dry Cleaning Plant provisions.

****Section 403.1, Exception 3; change to read as follows:**

3. The open air portion of a building [*remainder unchanged*]

****Section 403.3, Exception; delete item 2.**

****Section 403.3.2; change to read as follows:**

[F] 403.3.2 Water supply to required fire pumps. In buildings that are more than 420 120 feet (36.5 m) in building height, required fire pumps shall be supplied by connections to no fewer than two water mains located in different streets. Separate supply piping shall be provided between each connection to the water main and the pumps. Each connection and the supply piping between the connection and the pumps shall be sized to supply the flow and pressure required for the pumps to operate.

Exception: {No change to exception.}

****Section 404.5; delete Exception.**

****Section 406.3.3.1 Carport separation; add sentence to read as follows:**

A fire separation is not required between a Group R-2 and U carport provided that the carport is entirely open on all sides and that the distance between the two is at least 10 feet (3048 mm).

*****Table 506.2; delete sentence from table**

~~I. The maximum allowable area for a single-story non-sprinklered Group U greenhouse is permitted to be 9000 square feet or the allowable area shall be permitted to comply with Table C102.1 of Appendix C.~~

****Section 506.3.1; add sentence to read as follows:**

506.3.1 Minimum percentage of perimeter. [Existing Text remains]

In order to be considered as accessible, if not in direct contact with a street or fire lane, a minimum 10-foot wide pathway meeting fire department access from the street or approved fire lane shall be provided.

*****Section 602.1.1; add sentence to read as follows:**

602.1.1 Minimum Requirements. [Existing Text to remain]

Where a building contains more than one distinct type of construction, the building shall comply with the most restrictive area, height, and stories, for the lesser type of construction or be separated by fire walls.

*****Section 708.4.2; change sentence to read as follows:**

708.4.2 Fireblocks and draftstops in combustible construction. [Body of text unchanged]

Exceptions:

1. Buildings equipped with an automatic sprinkler system installed throughout in accordance with Section 903.3.1.1, or in accordance with Section 903.3.1.2 provided that sprinkler protection is provided in the space between the top of the fire partition and the underside of the floor or roof sheathing, deck or slab above as required for systems complying with Section 903.3.1.1. Portions of buildings containing concealed spaces filled with noncombustible insulation as permitted for sprinkler omission shall not apply to this exception for draftstopping. [Remainder unchanged]

*****Section 718.3; change sentence to read as follows:**

718.3 Draftstopping in floors. [Body of text unchanged]

Exceptions: Buildings equipped throughout with an automatic sprinkler system in accordance with Section 903.3.1.1. and provided that in combustible construction, sprinkler protection is provided in the floor space.

*****Section 718.4; change sentence to read as follows:**

718.4 Draftstopping in attics. [Body of text unchanged]

Exceptions: Buildings equipped throughout with an automatic sprinkler system in accordance with Section 903.3.1.1 and provided that in combustible construction, sprinkler protection is provided in the attic space.

****Section 901.6.1; add Section 901.6.1.1 to read as follows:**

901.6.1.1 Standpipe Testing. Building owners/managers must maintain and test standpipe systems as per NFPA 25 requirements. The following additional requirements

shall be applied to the testing that is required every 5 years:

1. The piping between the Fire Department Connection (FDC) and the standpipe shall be backflushed or inspected by approved camera when foreign material is present or when caps are missing, and also hydrostatically tested for all FDC's on any type of standpipe system. Hydrostatic testing shall also be conducted in accordance with NFPA 25 requirements for the different types of standpipe systems.
2. For any manual (dry or wet) standpipe system not having an automatic water supply capable of flowing water through the standpipe, the tester shall connect hose from a fire hydrant or portable pumping system (as approved by the *fire code official*) to each FDC, and flow water through the standpipe system to the roof outlet to verify that each inlet connection functions properly. Confirm that there are no open hose valves prior to introducing water into a dry standpipe. There is no required pressure criteria at the outlet. Verify that check valves function properly and that there are no closed control valves on the system.
3. Any pressure relief, reducing, or control valves shall be tested in accordance with the requirements of NFPA 25. All hose valves shall be exercised.
4. If the FDC is not already provided with approved caps, the contractor shall install such caps for all FDC's as required by the *fire code official*.
5. Upon successful completion of standpipe test, place a blue tag (as per Texas Administrative Code, Fire Sprinkler Rules for Inspection, Test and Maintenance Service (ITM) Tag) at the bottom of each standpipe riser in the building. The tag shall be check-marked as "Fifth Year" for Type of ITM, and the note on the back of the tag shall read "5 Year Standpipe Test" at a minimum.
6. The procedures required by Texas Administrative Code Fire Sprinkler Rules with regard to Yellow Tags and Red Tags or any deficiencies noted during the testing, including the required notification of the local Authority Having Jurisdiction (*fire code official*) shall be followed.
7. Additionally, records of the testing shall be maintained by the owner and contractor, if applicable, as required by the State Rules mentioned above and NFPA 25.
8. Standpipe system tests where water will be flowed external to the building shall not be conducted during freezing conditions or during the day prior to expected night time freezing conditions.
9. Contact the *fire code official* for requests to remove existing fire hose from Class II and III standpipe systems where employees are not trained in the utilization of this firefighting equipment. All standpipe hose valves must remain in place and be provided with an approved cap and chain when approval is given to remove hose by the *fire code official*.

****Section 903.1.1; change to read as follows:**

903.1.1 Alternative Protection. Alternative automatic fire-extinguishing systems complying with Section 904 shall be permitted ~~instead of~~ in addition to automatic sprinkler protection where recognized by the applicable standard ~~and, or as~~ approved by the *fire code official*.

****Section 903.2; add paragraph to read as follows and delete the exception:**

Automatic Sprinklers shall not be installed in elevator machine rooms, elevator machine spaces, and elevator hoistways, other than pits where such sprinklers would not necessitate shunt trip requirements under any circumstances. Storage shall not be allowed within the elevator machine room. Signage shall be provided at the entry doors to the elevator machine room indicating “ELEVATOR MACHINERY – NO STORAGE ALLOWED.”

****Section 903.2.9; add Section 903.2.9.3 to read as follows:**

903.2.9.3 Self-Service Storage Facility. An automatic sprinkler system shall be installed throughout all self-service storage facilities.

****Option B**

Section 903.2.11; change 903.2.11.3 and add 903.2.11.7, 903.2.11.8, and 903.2.11.9 as follows:

903.2.11.3 Buildings ~~55~~ 35 feet or more in height. An automatic sprinkler system shall be installed throughout buildings that have one or more stories ~~with an occupant load of 30 or more,~~ other than penthouses in compliance with Section 1510 of the *International Building Code*, located ~~55~~ 35 feet (46-764 10 668 mm) or more above the lowest level of fire department vehicle access, measured to the finished floor.

Exceptions:

- 1.—Open parking structures in compliance with Section 406.5 of the *International Building Code*, having no other occupancies above the subject garage.
- 2.—Occupancies in Group F-2.

903.2.11.7 High-Piled Combustible Storage. For any building with a clear height exceeding 12 feet (4572 mm), see Chapter 32 to determine if those provisions apply.

903.2.11.8 Spray Booths and Rooms. New and existing spray booths and spraying rooms shall be protected by an approved automatic fire-extinguishing system.

903.2.11.9 Buildings Over 5,000 sq. ft. An automatic sprinkler system shall be installed throughout all buildings with a building area 5,000 sq. ft. or greater and in all existing buildings that are enlarged to be 5,000 sq. ft. or greater. For the purpose of this provision, fire walls shall not define separate buildings.

Exception: Open parking garages in compliance with Section 406.5 of the International Building Code.

****Section 903.3.1.1.1; change to read as follows:**

903.3.1.1.1 Exempt Locations. When approved by the fire code official, automatic sprinklers shall not be required in the following rooms or areas where such ...{text unchanged}... because it is damp, of fire-resistance-rated construction or contains electrical equipment.

1. Any room where the application of water, or flame and water, constitutes a serious life or fire hazard.
2. Any room or space where sprinklers are considered undesirable because of the nature of the contents, when approved by the fire code official.
3. Generator and transformer rooms, under the direct control of a public utility, separated from the remainder of the building by walls and floor/ceiling or roof/ceiling assemblies having a fire-resistance rating of not less than 2 hours.
4. ~~In rooms or areas that are of noncombustible construction with wholly noncombustible contents.~~
5. ~~Fire service access~~ Elevator machine rooms, and machinery spaces, and hoistways, other than pits where such sprinklers would not necessitate shunt trip requirements under any circumstances.
6. {Delete.}

*****Section 903.3.1.2.3; delete sections and replace as follows:**

[F] Section 903.3.1.2.3 Attached Garages and Attics. Sprinkler protection is required in attached garages, and in the following attic spaces:

1. [Remainder Unchanged]
2. [Remainder Unchanged]
3. Attic spaces of buildings that are two or more stories in height above grade plane or above the lowest level of fire department vehicle access.
4. Group R-4, Condition 2 occupancy attics not required by Item 1 or 3 to have sprinklers shall comply with one of the following:
[Remainder Unchanged]

****Section 903.3.1.3; change to read as follows:**

903.3.1.3 NFPA 13D Sprinkler Systems. Automatic sprinkler systems installed in one- and two-family dwellings; Group R-3; Group R-4, Condition 1; and townhouses shall be permitted to be installed throughout in accordance with NFPA 13D or in accordance with state law.

****Section 903.3.1.4; add to read as follows:**

[F] 903.3.1.4 Freeze protection. Freeze protection systems for automatic fire sprinkler systems shall be in accordance with the requirements of the applicable referenced NFPA standard and this section.

903.3.1.4.1 Attics. Only dry-pipe, preaction, or listed antifreeze automatic fire sprinkler systems shall be allowed to protect attic spaces.

Exception: Wet-pipe fire sprinkler systems shall be allowed to protect non-ventilated attic spaces where:

1. The attic sprinklers are supplied by a separate floor control valve assembly to allow ease of draining the attic system without impairing sprinklers throughout the rest of the building, and
2. Adequate heat shall be provided for freeze protection as per the applicable referenced NFPA standard, and
3. The attic space is a part of the building's thermal, or heat, envelope, such that insulation is provided at the roof deck, rather than at the ceiling level.

903.3.1.4.2 Heat trace/insulation. Heat trace/insulation shall only be allowed where approved by the fire code official for small sections of large diameter water-filled pipe.

****Section 903.3.5; add a second paragraph to read as follows:**

Water supply as required for such systems shall be provided in conformance with the supply requirements of the respective standards; however, every water-based fire protection system shall be designed with a 10 psi safety factor. Reference Section 507.4 for additional design requirements.

****Section 903.4; add a second paragraph after the exceptions to read as follows:**

Sprinkler and standpipe system water-flow detectors shall be provided for each floor tap to the sprinkler system and shall cause an alarm upon detection of water flow for more than 45 seconds. All control valves in the sprinkler and standpipe systems except for fire department hose connection valves shall be electrically supervised to initiate a supervisory signal at the central station upon tampering.

****Section 903.4.2; add second paragraph to read as follows:**

The alarm device required on the exterior of the building shall be a weatherproof horn/strobe notification appliance with a minimum 75 candela strobe rating, installed as

close as practicable to the fire department connection.

****Section 905.2; change to read as follows:**

905.2 Installation Standard. Standpipe systems shall be installed in accordance with this section and NFPA 14. Manual dry standpipe systems shall be supervised with a minimum of 10 psig and a maximum of 40 psig air pressure with a high/low alarm.

*****Section 905.3; add Section 905.3.9 and exception to read as follows:**

905.3.9 Buildings Exceeding 10,000 sq. ft. In buildings exceeding 10,000 square feet in area per story and where any portion of the building's interior area is more than 200 feet (60960 mm) of travel, vertically and horizontally, from the nearest point of fire department vehicle access, Class I automatic wet or manual wet standpipes shall be provided.

Exceptions:

1. Automatic dry, semi-automatic dry, and manual dry standpipes are allowed as provided for in NFPA 14 where approved by the fire code official.
2. R-2 occupancies of four stories or less in height having no interior corridors.

****Section 905.4, change Item 1, 3, and 5, and add Item 7 to read as follows:**

1. In every required interior exit stairway, a hose connection shall be provided for each story above and below grade plane. Hose connections shall be located at the main floor landing between stories, unless otherwise approved by the fire code official.
2. {No change.}
3. In every exit passageway, at the entrance from the exit passageway to other areas of a building.

Exception: Where floor areas adjacent to an exit passageway are reachable from an interior exit stairway hose connection by a {No change to rest.}

4. {No change.}
5. Where the roof has a slope less than four units vertical in 12 units horizontal (33.3-percent slope), each standpipe shall be provided with a two-way a-hose connection shall be located to serve the roof or at the highest landing of an interior exit stairway with stair access to the roof provided in accordance with Section 1011.12.
6. {No change.}
7. When required by this Chapter, standpipe connections shall be placed adjacent to all required exits to the structure and at two hundred feet (200') intervals along major corridors thereafter, or as otherwise approved by the fire code official.

****Section 905.9; add a second paragraph after the exceptions to read as follows:**

Sprinkler and standpipe system water-flow detectors shall be provided for each floor tap to the sprinkler system and shall cause an alarm upon detection of water flow for more than 45 seconds. All control valves in the sprinkler and standpipe systems except for fire department hose connection valves shall be electrically supervised to initiate a supervisory signal at the central station upon tampering.

****Section 907.1; add Section 907.1.4 to read as follows:**

907.1.4 Design Standards. Where a new fire alarm system is installed, the devices shall be addressable. Fire alarm systems utilizing more than 20 smoke detectors shall have analog initiating devices.

****Section 907.2.1; change to read as follows:**

907.2.1 Group A. A manual fire alarm system that activates the occupant notification system in accordance with Section 907.5 shall be installed in Group A occupancies where the having an occupant load due to the assembly occupancy is of 300 or more persons, or where the Group A occupant load is more than 100 persons above or below the *lowest level of exit discharge*. Group A occupancies not separated from one another in accordance with Section 707.3.10 of the *International Building Code* shall be considered

as a single occupancy for the purposes of applying this section. Portions of Group E occupancies occupied for assembly purposes shall be provided with a fire alarm system as required for the Group E occupancy.

Exception: {No change.}

Activation of fire alarm notification appliances shall:

1. Cause illumination of the *means of egress* with light of not less than 1 foot-candle (11 lux) at the walking surface level, and
2. Stop any conflicting or confusing sounds and visual distractions.

****Section 907.2.3; change to read as follows:**

907.2.3 Group E. A manual fire alarm system that initiates the occupant notification signal utilizing an emergency voice/alarm communication system meeting the requirements of Section 907.5.2.2 and installed in accordance with Section 907.6 shall be installed in Group E educational occupancies. When *automatic sprinkler systems* or smoke detectors are installed, such systems or detectors shall be connected to the building fire alarm system. An approved smoke detection system shall be installed in Group E day care occupancies. Unless separated by a minimum of 100' open space, all buildings, whether portable buildings or the main building, will be considered one building for alarm occupant load consideration and interconnection of alarm systems.

Exceptions:

1. {No change.}
 - 1.1. Residential In-Home day care with not more than 12 children may use interconnected single station detectors in all habitable rooms. (For care of more than five children 2 1/2 or less years of age, see Section 907.2.6.)
{No change to remainder of exceptions.}

****Section 907.2.12, Exception 3; change to read as follows:**

3. Open air portions of buildings with an occupancy in Group A-5 in accordance with Section 303.1 of the *International Building Code*; however, this exception does not apply to accessory uses including but not limited to sky boxes, restaurants, and similarly enclosed areas.

****Section 907.4.2; add Section 907.4.2.7 to read as follows:**

907.4.2.7 Type. Manual alarm initiating devices shall be an approved double action type.

****Section 907.6.1; add Section 907.6.1.1 to read as follows:**

907.6.1.1 Wiring Installation. All fire alarm systems shall be installed in such a manner that a failure of any single initiating device or single open in an initiating circuit conductor will not interfere with the normal operation of other such devices. All signaling line circuits (SLC) shall be installed in such a way that a single open will not interfere with the operation of any addressable devices (Class A). Outgoing and return SLC conductors shall be installed in accordance with NFPA 72 requirements for Class A circuits and shall have a minimum of four feet separation horizontal and one foot vertical between supply and return circuit conductors. The initiating device circuit (IDC) from a signaling line circuit interface device may be wired Class B, provided the distance from the interface device to the initiating device is ten feet or less.

****Section 907.6.3; delete all four Exceptions.**

****Section 907.6.6; add sentence at end of paragraph to read as follows:**

See 907.6.3 for the required information transmitted to the supervising station.

****Section 910.2; change Exception 2 and 3 to read as follows:**

2. Only manual smoke and heat removal shall not be required in areas of buildings equipped with early suppression fast-response (ESFR) sprinklers. Automatic smoke and heat removal is prohibited.
3. Only manual smoke and heat removal shall not be required in areas of buildings equipped with control mode special application sprinklers with a response time index of $50(m^*S)^{1/2}$ or less that are listed to control a fire in stored commodities with 12 or fewer sprinklers. Automatic smoke and heat removal is prohibited.

****Section 910.2; add subsections 910.2.3 with exceptions to read as follows:**

910.2.3 Group H. Buildings and portions thereof used as a Group H occupancy as follows:

1. In occupancies classified as Group H-2 or H-3, any of which are more than 15,000 square feet (1394 m²) in single floor area.

Exception: Buildings of noncombustible construction containing only noncombustible materials.

2. In areas of buildings in Group H used for storing Class 2, 3, and 4 liquid and solid oxidizers, Class 1 and unclassified detonable organic peroxides, Class 3 and 4

unstable (reactive) materials, or Class 2 or 3 water-reactive materials as required for a high-hazard commodity classification.

Exception: Buildings of noncombustible construction containing only noncombustible materials.

****Section 910.3; add section 910.3.4 to read as follows:**

910.3.4 Vent Operation. Smoke and heat vents shall be capable of being operated by approved automatic and manual means. Automatic operation of smoke and heat vents shall conform to the provisions of Sections 910.3.2.1 through 910.3.2.3.

910.3.4.1 Sprinklered buildings. Where installed in buildings equipped with an approved automatic sprinkler system, smoke and heat vents shall be designed to operate automatically.

The automatic operating mechanism of the smoke and heat vents shall operate at a temperature rating at least 100 degrees F (approximately 38 degrees Celsius) greater than the temperature rating of the sprinklers installed.

Exception: Manual only systems per Section 910.2.

910.3.4.2 Nonsprinklered Buildings. Where installed in buildings not equipped with an approved automatic sprinkler system, smoke and heat vents shall operate automatically by actuation of a heat-responsive device rated at between 100°F (56°C) and 220°F (122°C) above ambient.

Exception: Listed gravity-operated drop out vents.

****Section 910.4.3.1; change to read as follows:**

910.4.3.1 Makeup Air. Makeup air openings shall be provided within 6 feet (1829 mm) of the floor level. Operation of makeup air openings shall be ~~manual or~~ automatic. The minimum gross area of makeup air inlets shall be 8 square feet per 1,000 cubic feet per minute (0.74 m² per 0.4719 m³/s) of smoke exhaust.

****Section 912.2; add Section 912.2.3 to read as follows:**

912.2.3 Hydrant Distance. An approved fire hydrant shall be located within 50 feet of the fire department connection as the fire hose lays along an unobstructed path.

*****Section 913.2.1; add Section 913.2.1.1 and exception to read as follows:**

913.2.1.1 Fire Pump Room Access. When located on the ground level at an exterior

wall, the fire pump room shall be provided with an exterior fire department access door that is not less than 3 ft. in width and 6 ft. – 8 in. in height, regardless of any interior doors that are provided. A key box shall be provided at this door, as required by IFC Section 506.1.

Exception: When it is necessary to locate the fire pump room on other levels or not at an exterior wall, the corridor leading to the fire pump room access from the exterior of the building shall be provided with equivalent fire resistance as that required for the pump room, or as approved by the fire code official. Access keys shall be provided in the key box as required by IFC Section 506.1.

****Section 1006.2.2.7; add Section 1006.2.2.7 as follows:**

1006.2.2.7 Electrical Rooms. For electrical rooms, special exiting requirements may apply. Reference the electrical code as adopted.

****Section 1009.8; add the following Exception 7:**

1009.8 Two Way Communication. A two-way communication system complying with Sections 1009.8.1 and 1009.8.2 shall be provided at the landing serving each elevator required to be accessible on each accessible floor that is one or more stories above or below the level of exit discharge.

Exceptions:

7. Buildings regulated under State Law and built in accordance with State registered plans, including variances or waivers granted by the State, shall be deemed to be in compliance with the requirements of Section 1009 and chapter 11.

****Section 1010.1.9.5 Bolt Locks; amend exceptions 3 and 4 as follows:**

Exceptions:

3. Where a pair of doors serves an occupant load of less than 50 persons in a Group B, F, M or S occupancy. (remainder unchanged)
4. Where a pair of doors serves a Group A, B, F, M or S occupancy (remainder unchanged)

**** Section 1020.1 Construction; add exception 6 to read as follows:**

6. In group B occupancies, corridor walls and ceilings need not be of fire-resistive construction within a single tenant space when the space is equipped with approved automatic smoke-detection within the corridor. The actuation of any detector must activate self-annunciating alarms audible in all areas within the corridor. Smoke detectors must be connected to an approved automatic fire alarm system where such system is provided.

****Section 1029.1.1.1 Spaces under grandstands and bleachers; delete this section.**

****Section 1101.1 Scope; add exception to Section 1101.1 as follows:**

Exception: Components of projects regulated by and registered with Architectural Barriers Division of Texas Department of Licensing and Regulation shall be deemed to be in compliance with the requirements of this chapter.

****Section 2901.1; add a sentence to read as follows:**

[P] 2901.1 Scope. *{existing text to remain}* The provisions of this Chapter are meant to work in coordination with the provisions of Chapter 4 of the International Plumbing Code. Should any conflicts arise between the two chapters, the Building Official shall determine which provision applies.

****Section 2902.1; add a second paragraph to read as follows:**

In other than E Occupancies, the minimum number of fixtures in Table 2902.1 may be lowered, if requested in writing, by the applicant stating reasons for a reduced number and approved by the Building Official.

****Table 2902.1; add footnote g to read as follows:**

g. Drinking fountains are not required in M Occupancies with an occupant load of 100 or less, B Occupancies with an occupant load of 25 or less, and for dining and/or drinking establishments.

****Add new Section 2902.1.4 to read as follows:**

2902.1.4 Additional fixtures for food preparation facilities. In addition to the fixtures required in this Chapter, all food service facilities shall be provided with additional fixtures set out in this section.

2902.1.4.1 Hand washing lavatory. At least one hand washing lavatory shall be provided for use by employees that is accessible from food preparation, food dispensing and ware washing areas. Additional hand washing lavatories may be required based on convenience of use by employees.

2902.1.4.2 Service sink. In new or remodeled food service establishments, at least one service sink or one floor sink shall be provided so that it is conveniently located for the cleaning of mops or similar wet floor cleaning tool and for the disposal of mop water and

similar liquid waste. The location of the service sink(s) and/or mop sink(s) shall be approved by the <Jurisdiction's> health department.

*****Section 3001.2 Emergency Elevator Communication Systems for the deaf, hard of hearing and speech impaired; delete this section.**

*****Section 3002.1 Hoistway Enclosure Protection required. Add exceptions to Section 3002.1 as follows:**

Exceptions:

4. Elevators completely located within atriums shall not require hoistway enclosure protection.
5. Elevators in open or enclosed parking garages that serve only the parking garage, shall not require hoistway enclosure protection.

****Section 3005.4 Machine rooms, control rooms, machinery spaces and control spaces; delete text as follows:**

~~Elevator machine rooms, control rooms, control spaces and machinery spaces outside of but attached to a hoistway that have openings into the hoistway shall be enclosed with fire barriers constructed in accordance with Section 707 or horizontal assemblies constructed in accordance with Section 711, or both.~~

Revise text to read:

Elevator machine rooms, control rooms, control spaces and machinery spaces shall be enclosed with fire barriers constructed in accordance with Section 707 or horizontal assemblies constructed in accordance with Section 711, or both.

(Remainder unchanged)

*****Section 3005.4 Machine rooms, control rooms, machinery spaces and control spaces;**

Delete exceptions and add two new exceptions to Section 3005.4 as follows:

Exceptions:

1. Elevator machine rooms, control rooms, machinery spaces and control spaces completely located within atriums shall not require enclosure protection.
2. Elevator machine rooms, control rooms, machinery spaces and control spaces

in open or enclosed parking garages that serve only the parking garage, shall not require enclosure protection.

****Section 3005.7 add a Section 3005.7 as follows:**

3005.7 Fire Protection in Machine rooms, control rooms, machinery spaces and control spaces.

3005.7.1 Automatic sprinkler system. The building shall be equipped throughout with an automatic sprinkler system in accordance with Section 903.3.1.1, except as otherwise permitted by Section 903.3.1.1.1 and as prohibited by Section 3005.7.2.1.

3005.7.2.1 Prohibited locations. Automatic sprinklers shall not be installed in machine rooms, elevator machinery spaces, control rooms, control spaces and elevator hoistways.

3005.7.2.2 Sprinkler system monitoring. The sprinkler system shall have a sprinkler control valve supervisory switch and water-flow initiating device provided for each floor that is monitored by the building's fire alarm system.

3005.7.3 Water protection. An approved method to prevent water from infiltrating into the hoistway enclosure from the operation of the automatic sprinkler system outside the elevator lobby shall be provided.

3005.7.4 Shunt trip. Means for elevator shutdown in accordance with Section 3005.5 shall not be installed.

****Section 3005.8; add Section 3005.8 as follows:**

3005.8 Storage. Storage shall not be allowed within the elevator machine room, control room, machinery spaces and or control spaces. Provide approved signage at each entry to the above listed locations stating: "No Storage Allowed."

Option B

Section 3006.2, Hoistway opening protection required; Revise text as follows:

5. The building is a high rise and the elevator hoistway is more than ~~75 foot (22 860 mm)~~ 55 feet (16 764 mm) in height. The height of the hoistway shall be measured from the lowest floor at or above grade to the highest floors served by the hoistway."

The International Residential Code 2018 edition, as amended herein, is hereby adopted as the residential building code of the City. A copy of such code will be kept in the City Secretary's office and be available for public inspection at all times during regular hours.

(b) Amendments

The following sections, paragraphs, and sentences, of the International Residential code, 2018 edition, are hereby amended to read as follows:

****Section R102.4; change to read as follows:**

R102.4 Referenced codes and standards. The *codes*, when specifically adopted, and standards referenced in this *code* shall be considered part of the requirements of this *code* to the prescribed extent of each such reference and as further regulated in Sections R102.4.1 and R102.4.2. Whenever amendments have been adopted to the referenced codes and standards, each reference to said code and standard shall be considered to reference the amendments as well. Any reference made to NFPA 70 or the *Electrical Code* shall mean the *Electrical Code* as adopted.

**** Section R103 and R103.1 amend to insert the Department Name**

CITY OF FATE DEPARTMENT OF BUILDING SAFETY

R103.1 Creation of enforcement agency. The City of Fate department of Building Safety is hereby created and the official in charge thereof shall be known as the *building official*.

**** Section R104.10.1 Flood Hazard areas; delete this section.**

****Section R105.3.1.1& R106.1.4; delete these sections.**

****Section R110 (R110.1 through R110.5); delete the section.**

****Section R202; change definition of "Townhouse" to read as follows:**

TOWNHOUSE. A single-family dwelling unit constructed in a group of three or more attached units separated by property lines in which each unit extends from foundation to roof and with a *yard* or *public way* on at least two sides.

*****Table R301.2 (1); fill in as follows:**

| GROUND SNOW LOAD | WIND DESIGN | | | | SEISMIC DESIGN CATEGORY ^f | SUBJECT TO DAMAGE FROM | | | WINTER DESIGN TEMP ^e | ICE BARRIER UNDER-LAYMENT ^h | FLOOD HAZARDS ^g | AIR FREEZING INDEX | MEAN ANNUAL TEMP ^j |
|------------------|----------------------------------|----------------------------------|----------------------------------|------------------------------------|--------------------------------------|-------------------------|-------------------------------|----------------------|---------------------------------|----------------------------------------|----------------------------|--------------------|-------------------------------|
| | SPEED ^d (MPH) | Topographic Effects ^k | Special Wind Region ^l | Windborne Debris Zone ^m | | Weathering ^a | Frost Line Depth ^b | Termite ^c | | | | | |
| 5 lb/ft | 115 (3 sec-gust)/76 fastest mile | No | No | No | A | Moderate | 6" | Very Heavy | 22° F | No | Local Code | 150 | 64.9° F |
| | | | | | | | | | | | | | |

Delete remainder of table Manual J Design Criteria and footnote N

****Section R302.1; add exception #6 to read as follows:**

Exceptions: {previous exceptions unchanged}

6. Open non-combustible carport structures may be constructed when also approved within adopted ordinances.

****Section R302.3; add Exception #3 to read as follows:**

Exceptions:

1. {existing text unchanged}
2. {existing text unchanged}
3. Two-family dwelling units that are also divided by a property line through the structure shall be separated as required for townhouses.

****Section R302.5.1; change to read as follows:**

R302.5.1 Opening protection. Openings from a private garage directly into a room used for sleeping purposes shall not be permitted. Other openings between the garage and residence shall be equipped with solid wood doors not less than 13/8 inches (35 mm) in thickness, solid or honeycomb core steel doors not less than 13/8 inches (35 mm) thick, or 20-minute fire-rated doors. ~~Equipped with a self-closing or automatic-closing device.~~

****Section R303.3, Exception; amend to read as follows:**

Exception: {existing text unchanged} Spaces containing only a water closet or water closet and a lavatory may be ventilated with an approved mechanical recirculating fan or similar device designed to remove odors from the air.

****Section R313.2 One and Two Family Dwellings; Delete this section and subsection in their entirety.**

R313.2 One and Two family dwellings over 5,000 square feet; An automatic sprinkler system shall be installed throughout all one and two family dwellings that are 5,000 sq ft or greater.

*****Section R315.2.2 Alterations, repairs and additions; amend to read as follows:**

Exception:

1. [existing text remains]
2. Installation, alteration or repairs of all electrically powered mechanical systems or plumbing appliances.

****Section R322 Flood Resistant Construction; deleted section.**

****Section R401.2; amended by adding a new paragraph following the existing paragraph to read as follows.**

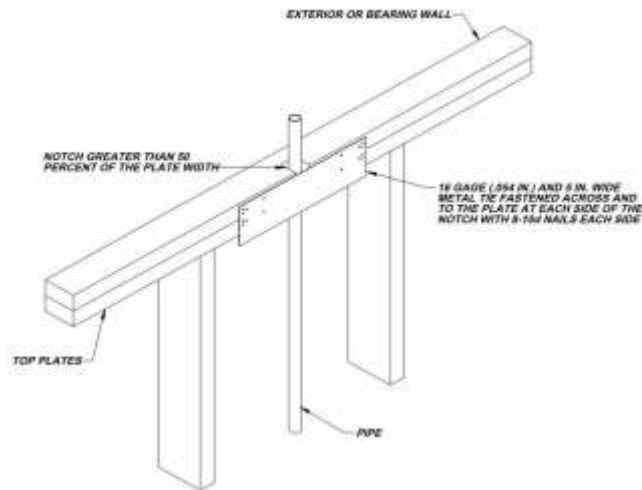
Section R401.2. Requirements. {existing text unchanged} ...

Every foundation and/or footing, or any size addition to an existing post-tension foundation, regulated by this code shall be designed and sealed by a Texas-registered engineer.

****Section R602.6.1; amend the following:**

R602.6.1 Drilling and notching of top plate. When piping or ductwork is placed in or partly in an exterior wall or interior load-bearing wall, necessitating cutting, drilling or notching of the top plate by more than 50 percent of its width, a galvanized metal tie not less than 0.054 inch thick (1.37 mm) (16 Ga) and ~~4-½ inches (38) mm~~ 5 inches (127 mm) wide shall be fastened across and to the plate at each side of the opening with not less than eight 10d (0.148 inch diameter) having a minimum length of 1 ½ inches (38 mm) at each side or equivalent. Fasteners will be offset to prevent splitting of the top plate material. The metal tie must extend a minimum of 6 inches past the opening. See figure R602.6.1. {remainder unchanged}

****Figure R602.6.1; delete the figure and insert the following figure:**



*****Add section R703.8.4.1.2 Veneer Ties for Wall Studs; to read as follows:**

R703.8.4.1.2 Veneer Ties for Wall Studs. In stud framed exterior walls, all ties may be anchored to studs as follows:

1. When studs are 16 in (407 mm) o.c., stud ties shall be spaced no further apart than 24 in (737 mm) vertically starting approximately 12 in (381 mm) from the foundation; or
2. When studs are 24 in (610 mm) o.c., stud ties shall be spaced no further apart than 16 in (483 mm) vertically starting approximately 8 in (254 mm) from the foundation.

****Section R902.1; amend and add exception #5 to read as follows:**

R902.1 Roofing covering materials. Roofs shall be covered with materials as set forth in Sections R904 and R905. Class A, B, or C roofing shall be installed in designated by law as requiring their use or when the edge of the roof is less than 3 feet from a lot line. {remainder unchanged}

Exceptions:

1. {text unchanged}
2. {text unchanged}
3. {text unchanged}
4. {text unchanged}
5. Non-classified roof coverings shall be permitted on one-story detached accessory structures used as tool and storage sheds, playhouses and similar uses, provided the floor area does not exceed (area defined by jurisdiction).

***** Chapter 11 [RE] – Energy Efficiency is deleted in its entirety; Reference the 2018 IECC for energy code provisions and recommended amendments.**

*****Section M1305.1.2; change to read as follows:**

M1305.1.2 Appliances in attics. *Attics containing appliances shall be provided . . . {bulk of paragraph unchanged} . . . side of the appliance. The clear access opening dimensions shall be a minimum of 20 inches by 30 inches (508 mm by 762 mm), and large enough to allow removal of the largest appliance. As a minimum, for access to the attic space, provide one of the following:*

1. A permanent stair.
2. A pull down stair with a minimum 300 lb (136 kg) capacity.
3. An access door from an upper floor level.

Exceptions:

1. The passageway and level service space are not required where the *appliance* can be serviced and removed through the required opening.
2. Where the passageway is unobstructed...*{remaining text unchanged}*

****Section M1411.3; change to read as follows:**

M1411.3 Condensate disposal. Condensate from all cooling coils or evaporators shall be conveyed from the drain pan outlet to ~~an approved place of disposal~~ a sanitary sewer through a trap, by means of a direct or indirect drain. *{remaining text unchanged}*

****Section M1411.3.1, Items 3 and 4; add text to read as follows:**

M1411.3.1 Auxiliary and secondary drain systems. *{bulk of paragraph unchanged}*

1. *{text unchanged}*
2. *{text unchanged}*
3. An auxiliary drain pan... *{bulk of text unchanged}*... with Item 1 of this section. A water level detection device may be installed only with prior approval of the *building official*.

4. A water level detection device... *{bulk of text unchanged}*... overflow rim of such pan. A water level detection device may be installed only with prior approval of the building official.

****Section M1411.3.1.1; add text to read as follows:**

M1411.3.1.1 Water-level monitoring devices. On down-flow units ...*{bulk of text unchanged}*... installed in the drain line. A water level detection device may be installed only with prior approval of the building official.

*****M1503.6 Makeup Air Required; amend and add exception as follows:**

M1503.6 Makeup air required. Where one or more gas, liquid or solid fuel-burning appliance that is neither direct-vent nor uses a mechanical draft venting system is located within a dwelling unit's air barrier, each exhaust system capable of exhausting in excess of 400 cubic feet per minute (0.19 m³/s) shall be mechanically or passively provided with makeup air at a rate approximately equal to the difference between exhaust air rate and 400 cubic feet per minute. Such makeup air systems shall be equipped with not fewer than one damper complying with Section M1503.6.2.

Exception: Makeup air is not required for exhaust systems installed for the exclusive purpose of space cooling and intended to be operated only when windows or other air inlets are open. Where all appliances in the house are of sealed combustion, power-vent, unvented, or electric, the exhaust hood system shall be permitted to exhaust up to 600 cubic feet per minute (0.28 m³/s) without providing makeup air. Exhaust hood systems capable of exhausting in excess of 600 cubic feet per minute (0.28 m³/s) shall be provided with a makeup air at a rate approximately to the difference between the exhaust air rate and 600 cubic feet per minute.

****Section M2005.2; change to read as follows:**

M2005.2 Prohibited locations. Fuel-fired water heaters shall not be installed in a room used as a storage closet or installed in any attic. Water heaters located in a bedroom or bathroom shall be installed in a sealed enclosure so that *combustion air* will not be taken from the living space. Access to such enclosure may be from the bedroom or bathroom when through a solid door, weather-stripped in accordance with the exterior door air leakage requirements of the International Energy Conservation Code and equipped with an approved self-closing device. Installation of direct-vent water heaters within an enclosure is not required.

****Section G2408.3 (305.5)Private Garages; delete this section in its entirety.**

****Section G2415.2.1 (404.2.1) CSST; add a second paragraph to read as follows:**

Both ends of each section of medium pressure gas piping shall identify its operating gas pressure with an *approved* tag. The tags are to be composed of aluminum or stainless steel and the following wording shall be stamped into the tag:

"WARNING: 1/2 to 5 psi gas pressure - Do Not Remove"

*****Section G2415.12 (404.12) and G2415.12.1 (404.12.1); change to read as follows:**

G2415.12 (404.12) Minimum burial depth. Underground *piping systems* shall be installed a minimum depth of ~~42 inches (305 mm)~~ 18 inches (457 mm) below grade, except as provided for in Section G2415.12.1.

G2415.12.1 (404.12.1) Individual Outdoor Appliances; Delete in its entirety

****Section G2417.1 (406.1); change to read as follows:**

G2417.1 (406.1) General. Prior to acceptance and initial operation, all *piping* installations shall be inspected and *pressure tested* to determine that the materials, design, fabrication, and installation practices comply with the requirements of this *code*. The *permit* holder shall make the applicable tests prescribed in Sections 2417.1.1 through 2417.1.5 to determine compliance with the provisions of this *code*. The *permit* holder shall give reasonable advance notice to the *building official* when the *piping system* is ready for testing. The *equipment*, material, power and labor necessary for the inspections and test shall be furnished by the *permit* holder and the *permit* holder shall be responsible for determining that the work will withstand the test pressure prescribed in the following tests.

****Section G2417.4; change to read as follows:**

G2417.4 (406.4) Test pressure measurement. Test pressure shall be measured with a monometer or with a pressure-measuring device designed and calibrated to read, record, or indicate a pressure loss caused by leakage during the pressure test period. The source of pressure shall be isolated before the pressure tests are made. ~~Mechanical gauges used to measure test pressures shall have a range such that the highest end of the scale is not greater than five times the test pressure.~~

****Section G2417.4.1; change to read as follows:**

G2417.4.1 (406.4.1) Test pressure. The test pressure to be used shall be no less than 3 psig (20 kPa gauge), or at the discretion of the Code Official, the piping and valves may

be tested at a pressure of at least six (6) inches (152 mm) of mercury, measured with a manometer or slope gauge, irrespective of design pressure. Where the test pressure exceeds 125 psig (862 kPa gauge), the test pressure shall not exceed a value that produces a hoop stress in the piping greater than 50 percent of the specified minimum yield strength of the pipe. For tests requiring a pressure of 3 psig, diaphragm gauges shall utilize a dial with a minimum diameter of three and one half inches (3 1/2"), a set hand, 1/10 pound incrementation and pressure range not to exceed 6 psi for tests requiring a pressure of 3 psig. For tests requiring a pressure of 10 psig, diaphragm gauges shall utilize a dial with a minimum diameter of three and one-half inches (3 1/2"), a set hand, a minimum of 2/10 pound incrementation and a pressure range not to exceed 20 psi. For welded piping, and for piping carrying gas at pressures in excess of fourteen (14) inches water column pressure (3.48 kPa) (1/2 psi) and less than 200 inches of water column pressure (52.2 kPa) (7.5 psi), the test pressure shall not be less than ten (10) pounds per square inch (69.6 kPa). For piping carrying gas at a pressure that exceeds 200 inches of water column (52.2 kPa) (7.5 psi), the test pressure shall be not less than one and one-half times the proposed maximum working pressure. Diaphragm gauges used for testing must display a current calibration and be in good working condition. The appropriate test must be applied to the diaphragm gauge used for testing

****Section G2417.4.2; change to read as follows:**

G2417.4.2 (406.4.2) Test duration. The test duration shall be held for a length of time satisfactory to the *Building Official*, but in no case for ~~be not~~ less than ~~40~~ fifteen (15) minutes. For welded *piping*, and for *piping* carrying gas at pressures in excess of fourteen (14) inches water column pressure (3.48 kPa), the test duration shall be held for a length of time satisfactory to the *Building Official*, but in no case for less than thirty (30) minutes.

****Section G2420.1 (406.1); add Section G2420.1.4 to read as follows:**

G2420.1.4 Valves in CSST installations. Shutoff *valves* installed with corrugated stainless steel (CSST) *piping systems* shall be supported with an approved termination fitting, or equivalent support, suitable for the size of the *valves*, of adequate strength and quality, and located at intervals so as to prevent or damp out excessive vibration but in no case greater than 12-inches from the center of the *valve*. Supports shall be installed so as not to interfere with the free expansion and contraction of the system's *piping*, fittings, and *valves* between anchors. All *valves* and supports shall be designed and installed so they will not be disengaged by movement of the supporting *piping*.

****Section G2420.5.1 (409.5.1); add text to read as follows:**

G2420.5.1 (409.5.1) Located within the same room. The shutoff valve...*{bulk of paragraph unchanged}*... in accordance with the appliance manufacturer's instructions. A secondary shutoff valve must be installed within 3 feet (914 mm) of the firebox if

appliance shutoff is located in the firebox.

****Section G2421.1 (410.1); add text and Exception to read as follows:**

G2421.1 (410.1) Pressure regulators. A line *pressure regulator* shall be ... *{bulk of paragraph unchanged}*... *approved* for outdoor installation. Access to regulators shall comply with the requirements for access to appliances as specified in Section M1305.

Exception: A passageway or level service space is not required when the regulator is capable of being serviced and removed through the required attic opening.

****Section G2422.1.2.3 (411.1.3.3) Prohibited locations and penetrations; delete Exception 1 and Exception 4.**

****Section G2445.2 (621.2); add Exception to read as follows:**

G2445.2 (621.2) Prohibited use. One or more *unvented room heaters* shall not be used as the sole source of comfort heating in a *dwelling unit*.

Exception: Existing approved unvented room heaters may continue to be used in dwelling units, in accordance with the code provisions in effect when installed, when approved by the Building Official unless an unsafe condition is determined to exist as described in International Fuel Gas Code Section 108.7 of the Fuel Gas Code.

****Section G2448.1.1 (624.1.1); change to read as follows:**

G2448.1.1 (624.1.1) Installation requirements. The requirements for *water heaters* relative to access, sizing, *relief valves*, drain pans and scald protection shall be in accordance with this code.

***** Section P2603; add to read as follows:**

P2603.3 Protection against corrosion. Metallic piping, except for cast iron, ductile iron and galvanized steel, shall not be placed in direct contact with steel framing members, concrete or cinder walls and floors or other masonry. Metallic piping shall not be placed in direct contact with corrosive soil. Where sheathing is used to prevent direct contact, the sheathing shall have a thickness of not less than 0.008 inch (8 mil) (0.203 mm) and the sheathing shall be made of approved material plastic. Where sheathing protects piping that penetrates concrete or masonry walls or floors, the sheathing shall be installed in a manner that allows movement of the piping within the sheathing.

*****Section P2603.5.1 Sewer Depth; change to read as follows:**

P2603.5.1 Sewer depth. Building sewers that connect to private sewage disposal systems shall be a minimum of [number] inches (mm) below finished grade at the point of septic tank connection. Building sewers shall be a minimum of 12 inches (304 mm) below grade.

*****Section P2604; add to read as follows:**

P2604.2.1 Plastic sewer and DWV piping installation. Plastic sewer and DWV piping installed underground shall be installed in accordance with the manufacturer's installation instructions. Trench width shall be controlled to not exceed the outside the pipe diameter plus 16 inches or in a trench which has a controlled width equal to the nominal diameter of the piping multiplied by 1.25 plus 12 inches. The piping shall be bedded in 4 inches of granular fill and then backfilled compacting the side fill in 6-inch layers on each side of the piping. The compaction shall be to minimum of 85 percent standard proctor density and extend to a minimum of 6 inches above the top of the pipe.

***** Section P2801; change to read as follows:**

P2801.6 Required pan.

Where a storage tank-type water heater or a hot water storage tank is installed in a location where water leakage from the tank will cause damage, the tank shall be installed in a pan constructed of one of the following:

1. Galvanized steel or aluminum of not less than 0.0236 inch (0.6010 mm) in thickness.
2. Plastic not less than 0.036 inch (0.9 mm) in thickness.
3. Other *approved* materials.

~~A plastic pan beneath a gas-fired water heater shall be constructed of material having a flame spread index of 25 or less and a smoke developed index of 450 or less when tested in accordance with ASTM E84 or UL 723.~~

*****Section P2801.6.1; change to read as follows:**

Section P2801.6.1 Pan size and drain. The pan shall be not less than 11/2 inches (38 mm) in depth and shall be of sufficient size and shape to receive all dripping or condensate from the tank or water heater. The pan shall be drained by an indirect waste pipe having a diameter of not less than 3/4 inch (19 mm). Piping for safety pan drains shall be of those materials listed in Table P2906.5.

Multiple pan drains may terminate to a single discharge piping system when *approved* by the administrative authority and permitted by the manufactures installation instructions and installed with those instructions. {existing text unchanged}

***** Section P2804.6.1; change to read as follows:**

Section P2804.6.1 Requirements for discharge piping. The discharge piping serving a pressure relief valve, temperature relief valve or combination thereof shall:

1. Not be directly connected to the drainage system.
2. Discharge through an air gap ~~located in the same room as the water heater.~~
3. Not be smaller than the diameter of the outlet of the valve served and shall discharge full size to the air gap.
4. Serve a single relief device and shall not connect to piping serving any other relief device or equipment.

Exception: Multiple relief devices may be installed to a single T & P discharge piping system when approved by the administrative authority and permitted by the manufactures installation instructions and installed with those instructions.

5. Discharge ~~to the floor, to the pan serving the water heater or storage tank, to a waste receptor~~ an approved location or to the outdoors.

[remainder unchanged]

****Section P2902.5.3; change to read as follows:**

P2902.5.3 Lawn irrigation systems. The potable water supply to lawn irrigation systems shall be protected against backflow by an atmospheric-type vacuum breaker, a pressure-type vacuum breaker, a double-check assembly or a reduced pressure principle backflow preventer. A valve shall not be installed downstream from an atmospheric vacuum breaker. Where chemicals are introduced into the system, the potable water supply shall be protected against backflow by a reduced pressure principle backflow preventer.

*****Section P3003.9; change to read as follows:**

P3003.9.2 Solvent cementing. Joint surfaces shall be clean and free from moisture. A purple primer that conforms to ASTM F 656 shall be applied. Solvent cement not purple in color and conforming to ASTM D 2564, CSA B137.3, CSA B181.2 or CSA B182.1 shall be applied to all joint surfaces. The joint shall be made while the cement is wet and shall be in accordance with ASTM D 2855. Solvent cement joints shall be permitted above or below ground.

~~Exception: A primer is not required where both of the following conditions apply:~~

1. ~~The solvent cement used is third party certified as conforming to ASTM D-2564~~
2. ~~The solvent cement is used only for joining PVC drain, waste, and vent pipe and fittings in not pressure applications in sizes up to and including 4 inches (102mm) in diameter.~~

*****Section P3111Combination waste and vent systems; delete this section in its entirety.***

*****Section P3112.2 Vent Collection; delete and replace with the following:***

P3112.2 Installation. Traps for island sinks and similar equipment shall be roughed in above the floor and may be vented by extending the vent as high as possible, but not less than the drainboard height and then returning it downward and connecting it to the horizontal sink drain immediately downstream from the vertical fixture drain. The return vent shall be connected to the horizontal drain through a wye-branch fitting and shall, in addition, be provided with a foot vent taken off the vertical fixture vent by means of a wye-branch immediately below the floor and extending to the nearest partition and then through the roof to the open air or may be connected to other vents at a point not less than six (6) inches (152 mm) above the flood level rim of the fixtures served. Drainage fittings shall be used on all parts of the vent below the floor level and a minimum slope of one-quarter (1/4) inch per foot (20.9 mm/m) back to the drain shall be maintained. The return bend used under the drain-board shall be a one (1) piece fitting or an assembly of a forty-five (45) degree (0.79 radius), a ninety (90) degree (1.6 radius) and a forty-five (45) degree (0.79 radius) elbow in the order named. Pipe sizing shall be as elsewhere required in this Code. The island sink drain, upstream of the return vent, shall serve no other fixtures. An accessible cleanout shall be installed in the vertical portion of the foot vent.

Sec. 6-26. Plumbing Code

The International Residential Code 2018 edition, as amended herein, is hereby adopted as the plumbing code of the City. A copy of such code will be kept in the City Secretary’s office and will be available for public inspection at all times during regular hours.

(c) Amendments

The following sections, paragraphs, and sentences, of the International Plumbing code, 2018 edition, are hereby amended to read as follows:

**** Section R101.1 amend to insert the Department Name**

CITY OF FATE DEPARTMENT OF BUILDING SAFETY

R101.1 Title. These regulations shall be known as the plumbing code of the City of Fate department of Building Safety hereinafter referred to as “this code.”

****Table of Contents, Chapter 7, Section 714; change to read as follows:**

714 Engineered Computerized Drainage Design 69

*****Section 102.8; change to read as follows:**

102.8 Referenced codes and standards. The codes and standards referenced in this code shall be those that are listed in Chapter 15 and such codes, when specifically adopted, and standards shall be considered as part of the requirements of this code to the prescribed extent of each such reference. Where the differences occur between provisions of this code and the referenced standards, the provisions of this code shall be the minimum requirements. Whenever amendments have been adopted to the referenced codes and standards, each reference to said code and standard shall be considered to reference the adopted amendments. Any reference to NFPA 70 shall mean the Electrical Code as adopted.

****Sections 106.6.2 and 106.6.3; change to read as follows:**

106.6.2 Fee schedule. The fees for all plumbing work shall be as indicated in the following schedule: ~~(JURISDICTION TO INSERT APPROPRIATE SCHEDULE)~~ adopted by resolution of the governing body of the jurisdiction.

106.6.3 Fee Refunds. The code official shall establish a policy for ~~authorize~~ authorizing the refunding of fees ~~as follows.~~ *{Delete balance of section}*

****Section 109; delete entire section and insert the following:**

SECTION 109

MEANS OF APPEAL

109.1 Application for appeal. Any person shall have the right to appeal a decision of the code official to the board of appeals established by ordinance. The board shall be governed by the enabling ordinance.

*****Section 305; change to read as follows:**

305.1 Protection against contact. Metallic piping, except for cast iron, ductile iron and galvanized steel, shall not be placed in direct contact with steel framing members, concrete or cinder walls and floors or other masonry. Metallic piping shall not be placed in direct contact with corrosive soil. Where sheathing is used to prevent direct contact, the sheathing shall have a thickness of not less than 0.008 inch (8 mil) (0.203 mm) and the sheathing shall be made of approved material plastic. Where sheathing protects piping that penetrates concrete or masonry walls or floors, the sheathing shall be installed in a manner that allows movement of the piping within the sheathing.

305.4.1 Sewer depth. ~~Building sewers that connect to private sewage disposal systems shall be a minimum of [number] inches (mm) below finished grade at the point of septic tank connection.~~ Building sewers shall be a minimum of 12 inches (304 mm) below grade.

****Section 305.7; change to read as follows:**

305.7 Protection of components of plumbing system. Components of a plumbing system installed within 3 feet along alleyways, driveways, parking garages or other locations in a manner in which they could be exposed to damage shall be recessed into the wall or otherwise protected in an *approved* manner.

*****Section 306; change to read as follows:**

*****306.2.4 Plastic sewer and DWV piping installation.** Plastic sewer and DWV piping installed underground shall be installed in accordance with the manufacturer's installation instructions. Trench width shall be controlled to not exceed the outside the pipe diameter plus 16 inches or in a trench which has a controlled width equal to the nominal diameter of the diameter of the piping multiplied by 1.25 plus 12 inches. The piping shall be bedded in 4 inches of granular fill and then backfilled compacting the side fill in 6-inch layers on each side of the piping. The compaction shall be to minimum of 85 percent standard proctor density and extend to a minimum of 6 inches above the top of the pipe.

****Section 314.2.1; change to read as follows:**

314.2.1 Condensate disposal. Condensate from all cooling coils and evaporators shall be conveyed from the drain pan outlet to an *approved* place of disposal. ... {text unchanged} ... Condensate shall not discharge into a street, alley, sidewalk, rooftop, or other areas so as to cause a nuisance.

****Section 409.2; change to read as follows:**

409.2 Water connection. The water supply to a commercial dishwashing machine shall be protected against backflow by an air gap or backflow preventer in accordance with Section 608. (Remainder of section unchanged).

****Section 413.4; change to read as follows:**

413.4 Required location for floor drains ~~Public laundries and central washing facilities.~~ Floor drains shall be installed in the following areas:

1. In public laundries and in the central washing facilities of multiple family dwellings, the rooms containing automatic clothes washers shall be provided with floor drains located to readily drain the entire floor area. Such drains shall have a minimum outlet of not less than 3 inches (76 mm) in diameter.
2. Commercial kitchens. In lieu of floor drains in commercial kitchens, the Code Official may accept floor sinks.
3. Public restrooms.

*****Section 502.3; change to read as follows:**

502.3 Water heaters installed in attics. Attics containing a water heater shall be provided . . . {bulk of paragraph unchanged} . . . side of the water heater. The clear access opening dimensions shall be not less than 20 inches by 30 inches (508 mm by 762 mm) where such dimensions are large enough to allow removal of the water heater. As a minimum, for access to the attic space, provide one of the following:

1. A permanent stair.
2. A pull-down stair with a minimum 300 lb (136 kg) capacity.
3. An access door from an upper floor level.

4. Access Panel may be used in lieu of items 1, 2, and 3 with prior approval of the Code Official due to building conditions.

Exceptions:

1. The passageway and level service space are not required where the appliance is capable of being serviced and removed... {remainder of text unchanged}

****Section 502.6; add Section 502.6 to read as follows:**

502.6 Water heaters above ground or floor. When the attic, roof, mezzanine or platform in which a water heater is installed is more than eight (8) feet (2438 mm) above the ground or floor level, it shall be made accessible by a stairway or permanent ladder fastened to the building.

Exception: A max 10-gallon water heater (or larger with approval) is capable of being accessed through a lay-in ceiling and a water heater is installed is not more than ten (10) feet (3048 mm) above the ground or floor level and may be reached with a portable ladder.

*****Section 504.6; change to read as follows:**

504.6 Requirements for discharge piping. The discharge piping serving a pressure relief valve, temperature relief valve or combination thereof shall:

1. Not be directly connected to the drainage system.
2. Discharge through an air gap. ~~located in the same room as the water heater.~~
3. Not be smaller than the diameter of the outlet of the valve served and shall discharge full size to the air gap.
4. Serve a single relief device and shall not connect to piping serving any other relief device or equipment.

Exception: Multiple relief devices may be installed to a single T & P discharge piping system when approved by the administrative authority and permitted by the manufacture's installation instructions and installed with those instructions.

5. Discharge ~~to the floor, to the pan serving the water heater or storage tank, to a waste receptor~~ an approved location or to the outdoors.
6. Discharge in a manner that does not cause personal injury or structural damage.

7. Discharge to a termination point that is readily observable by the building occupants.
8. Not be trapped.
9. Be installed so as to flow by gravity.
10. Terminate not more than 6 inches above and not less than two times the discharge pipe diameter above the floor or flood level rim of the waste receptor.
11. Not have a threaded connection at the end of such piping.
12. Not have valves or tee fittings.
13. Be constructed of those materials listed in Section 605.4 or materials tested, rated and *approved* for such use in accordance with ASME A112.4.1.
14. Be one nominal size larger than the size of the relief valve outlet, where the relief valve discharge piping is installed with insert fittings. The outlet end of such tubing shall be fastened in place

****Section 504.7.1; change to read as follows:**

Section 504.7.1 Pan size and drain to read as follows: The pan shall be not less than 1 1/2 inches (38 mm) in depth and shall be of sufficient size and shape to receive all dripping or condensate from the tank or water heater. The pan shall be drained by an indirect waste pipe having a diameter of not less than 3/4 inch (19 mm). Piping for safety pan drains shall be of those materials listed in Table 605.4. Multiple pan drains may terminate to a single discharge piping system when approved by the administrative authority and permitted by the manufactures installation instructions and installed with those instructions.

****Section 608.1; change to read as follows:**

608.1 General. A potable water supply system shall be designed, installed and maintained in such a manner so as to prevent contamination from non-potable liquids, solids or gases being introduced into the potable water supply through cross-connections or any other piping connections to the system. Backflow preventer applications shall conform to applicable local regulations, Table 608.1, except and as specifically stated in Sections 608.2 through 608.16.10.

****Section 608.17.5; change to read as follows:**

608.17.5 Connections to lawn irrigation systems.

The potable water supply to lawn irrigation systems shall be protected against backflow by an atmospheric-type vacuum breaker, a pressure-type vacuum breaker, a double-check assembly or a reduced pressure principle backflow preventer. A valve shall not be installed downstream from an atmospheric vacuum breaker. Where chemicals are introduced into the system, the potable water supply shall be protected against backflow by a reduced pressure principle backflow preventer.

****Section 608.18; change to read as follows:**

608.18 Protection of individual water supplies. An individual water supply shall be located and constructed so as to be safeguarded against contamination in accordance with applicable local regulations. Installation shall be in accordance with Sections 608.17.1 through 608.17.8.

Section 703.6; Delete

****Section 704.5; added to read as follows:**

704.5 Single stack fittings. Single stack fittings with internal baffle, PVC schedule 40 or cast iron single stack shall be designed by a registered engineer and comply to a national recognized standard.

****Section 712.5; add Section 712.5 to read as follows:**

712.5 Dual Pump System. All sumps shall be automatically discharged and, when in any "public use" occupancy where the sump serves more than 10 fixture units, shall be provided with dual pumps or ejectors arranged to function independently in case of overload or mechanical failure. For storm drainage sumps and pumping systems, see Section 1113.

****Section 713, 713.1; change to read as follows:**

SECTION 713

ENGINEERED COMPUTERIZED DRAINAGE DESIGN

713.1 Design of drainage system. The sizing, design and layout of the drainage system shall be ~~permitted to be~~ designed by a registered engineer using approved computer design methods.

****Section 803.3; added to read as follows:**

803.3 Special waste pipe, fittings, and components. Pipes, fittings, and components receiving or intended to receive the discharge of any fixture into which acid or corrosive chemicals are placed shall be constructed of CPVC, high silicone iron, PP, PVDF, chemical resistant glass, or glazed ceramic materials.

****Section 903.1; change to read as follows:**

903.1 Roof extension. Open vent pipes that extend through a roof shall terminate not less than six (6) inches (152 mm) above the roof. Where a roof is to be used for assembly or as a promenade, observation deck, sunbathing deck or similar purposes, open vent pipes shall terminate not less than 7 feet (2134 mm) above the roof.

*****Section 918.8; change to read as follows.**

918.8 **Where permitted.** Individual, branch and circuit vents shall be permitted to terminate with a connection to an individual or branch-type air admittance valve in accordance with Section 918.3.1. Stack vents and vent stacks shall be permitted to terminate to stack-type air admittance valves in accordance with Section 918.3.2. Air admittance valves shall only be installed with the prior approval of the building official.

****Section 1003 Grease Trap/Interceptor Capacity: 750 Gallon Minimum**

The acceptable grease trap/interceptor sizing shall be accomplished by utilizing the uniform plumbing code formula worksheet, where formulas result in less than 750 gallons in capacity, alternate size/ devices may be approved on an individual basis by the Building official. On grease trap/interceptors there shall be a sample well installed in-line.

****Section 1106.1; change to read as follows:**

1106.1 General. The size of the vertical conductors and leaders, building storm drains, building storm sewers, and any horizontal branches of such drains or sewers shall be based on six (6) inches per hour ~~the 100-year hourly rainfall rate indicated in Figure 1106.1 or on other rainfall rates determined from approved local weather data.~~

****Section 1108.3; change to read as follows:**

1108.3 Sizing of secondary drains. Secondary (emergency) roof drain systems shall be sized in accordance with Section 1106 ~~based on the rainfall rate for which the primary system is sized in Figure 1106.1 or on other rainfall rates determined from approved local weather data.~~ Scuppers shall be sized to prevent the depth of ponding water from exceeding that for which the roof was designed as determined by Section 1101.7. Scuppers shall not have an opening dimension of less than 4 inches (102 mm). The flow through the primary system shall not be considered when sizing the secondary roof drain system.

****Section 1109; delete this section.**

*****Section 1202.1; delete Exceptions 1 and 2.**

Sec. 6-27. Mechanical Code

The International Mechanical Code 2018 edition, as amended herein, is hereby adopted as the plumbing code of the City. A copy of such code will be kept in the City Secretary's office and will be available for public inspection at all times during regular hours.

(d) Amendments

The following sections, paragraphs, and sentences, of the International Mechanical code, 2018 edition, are hereby amended to read as follows:

**** Section R101.1 amend to insert the Department Name**

CITY OF FATE DEPARTMENT OF BUILDING SAFETY

R101.1 Title. These regulations shall be known as the Mechanical code of the City of Fate department of Building Safety hereinafter referred to as "this code."

*****Section 102.8; change to read as follows:**

102.8 Referenced Codes and Standards. The codes and standards referenced herein shall be those that are listed in Chapter 15 and such codes, when specifically adopted, and standards shall be considered part of the requirements of this code to the prescribed extent of each such reference. Where differences occur between provisions of this code and the referenced standards, the provisions of this code shall apply. Whenever amendments have been adopted to the referenced codes and standards, each reference to said code and standard shall be considered to reference the adopted amendments. Any reference to NFPA 70 shall mean the Electrical Code as adopted.

*****Section 306.3; change to read as follows:**

306.3 Appliances in Attics. Attics containing appliances shall be provided . . . *{bulk of paragraph unchanged}* . . . side of the appliance. The clear access opening dimensions shall be a minimum of 20 inches by 30 inches (508 mm by 762 mm), and large enough to allow removal of the largest appliance. As a minimum, for access to the attic space, provide one of the following:

4. A permanent stair.
5. A pull-down stair with a minimum 300 lb. (136 kg) capacity.
6. An access door from an upper floor level.
7. Access Panel may be used in lieu of items 1, 2, and 3 with prior approval of the code official due to building conditions.

Exceptions:

1. The passageway and level service space are not required where the appliance is capable of being serviced and removed... *{remainder of section unchanged}*

*****Section 306.5; change to read as follows:**

306.5 Equipment and Appliances on Roofs or Elevated Structures. Where *equipment* requiring access or appliances are located on an elevated structure or the roof of a building such that personnel will have to climb higher than 16 feet (4877 mm) above grade to access, an interior or exterior means of access shall be provided. Exterior ladders providing roof access need not extend closer than 12 feet (2438 mm) to the finish grade or floor level below and shall extend to the *equipment* and appliances' level service space. Such access shall . . . *{bulk of section to read the same}* . . . on roofs having a slope greater than four units vertical in 12 units horizontal (33-percent slope). ... *{remainder of text unchanged}*.

****Section 306.5.1; change to read as follows:**

306.5.1 Sloped Roofs. Where appliances, *equipment*, fans or other components that require service are installed on a roof having a slope of three units vertical in 12 units horizontal (25-percent slope) or greater and having an edge more than 30 inches (762 mm) above grade at such edge, a catwalk at least 16 inches in width with substantial cleats spaced not more than 16 inches apart shall be provided from the roof access to a level platform at the appliance. The level platform shall be provided on each side of the appliance to which access is required for service, repair or maintenance. The platform shall be not less than 30 inches (762 mm) in any dimension and shall be provided with guards. The guards shall extend not less than 42 inches (1067 mm) above the platform, shall be constructed so as to prevent the passage of a 21-inch-diameter (533 mm) sphere and shall comply with the loading requirements for guards specified in the *International Building Code*...*{remainder of text unchanged}*.

****Section 306; add Section 306.6 to read as follows:**

306.6 Water Heaters Above Ground or Floor. When the mezzanine or platform in which a water heater is installed is more than eight (8) feet (2438 mm) above the ground or floor level, it shall be made accessible by a stairway or permanent ladder fastened to the building, water heaters shall not be installed in any attic unless approved by the building official.

Exception: A maximum 10 gallon water heater (or larger with approval) is capable of being accessed through a lay-in ceiling and the water heater installed is not more than ten (10) feet (3048 mm) above the ground or floor level and may be reached with a portable ladder.

****Section 307.2.3; amend item 2 to read as follows:**

2. A separate overflow drain line shall be connected to the drain pan provided with the equipment. Such overflow drain shall discharge to a conspicuous point of disposal to alert occupants in the event of a stoppage of the primary drain. The overflow drain line shall connect to the drain pan at a higher level than the primary drain connection. However, the conspicuous point shall not create a hazard such as dripping over a walking surface or other areas so as to create a nuisance.

****Section 403.2.1; add an item 5 to read as follows:**

8. Toilet rooms within private dwellings that contain only a water closet, lavatory, or combination thereof may be ventilated with an approved mechanical recirculating fan or similar device designed to remove odors from the air.

****Section 501.3; add an exception to read as follows:**

501.3 Exhaust Discharge. The air removed by every mechanical exhaust system shall be discharged outdoors at a point where it will not cause a public nuisance and not less than the distances specified in Section 501.3.1. The air shall be discharged to a location from which it cannot again be readily drawn in by a ventilating system. Air shall not be exhausted into an attic, crawl space, or be directed onto walkways.

Exceptions:

1. Whole-house ventilation-type attic fans shall be permitted to discharge into the attic space of dwelling units having private attics.
2. Commercial cooking recirculating systems.
3. Where installed in accordance with the manufacturer's instructions and where mechanical or natural ventilation is otherwise provided in accordance with Chapter 4, listed and labeled domestic ductless range hoods shall not be required to discharge to the outdoors.
4. Toilet room exhaust ducts may terminate in a warehouse or shop area when infiltration of outside air is present.

(Reason: Provide a reasonable alternative in areas where a large volume of outside air is present.)

****Section 607.5.1; change to read as follows:**

607.5.1 Fire Walls. Ducts and air transfer openings permitted in fire walls in accordance with Section 705.11 of the International Building Code shall be protected with listed fire dampers installed in accordance with their listing. For hazardous exhaust systems see Section 510.1-510.9 IMC.

Sec. 6-28. Fuel gas Code

The International Fuel Gas Code 2018 edition, as amended herein, is hereby adopted as the plumbing code of the City. A copy of such code will be kept in the City Secretary's office and will be available for public inspection at all times during regular hours.

(e) Amendments

The following sections, paragraphs, and sentences, of the International Fuel Gas code, 2018 edition, are hereby amended to read as follows:

**** Section R101.1 amend to insert the Department Name**

CITY OF FATE DEPARTMENT OF BUILDING SAFETY

R101.1 Title. These regulations shall be known as the Fuel Gas code of the City of Fate department of Building Safety hereinafter referred to as "this code."

****Section 102.2; add an exception to read as follows:**

Exception: Existing dwelling units shall comply with Section 621.2.

****Section 102.8; change to read as follows:**

102.8 Referenced codes and standards. The codes and standards referenced in this code shall be those that are listed in Chapter 8 and such codes, when specifically adopted, and standards shall be considered part of the requirements of this code to the prescribed extent of each such reference. Where differences occur between provisions of this code and the referenced standards, the provisions of this code shall apply. Whenever amendments have been adopted to the referenced codes and standards, each reference to said code and standard shall be considered to reference the amendments as well. Any reference to NFPA 70 or the ICC *Electrical Code* shall mean the Electrical Code as adopted.

*****Section 306.3; change to read as follows:**

[M] 306.3 Appliances in attics. Attics containing appliances shall be provided . . . *{bulk of paragraph unchanged}* . . . side of the *appliance*. The clear *access* opening dimensions shall be a minimum of 20 inches by 30 inches (508 mm by 762 mm), and large enough to allow removal of the largest *appliance*. As a minimum, for access to the attic space, provide one of the following:

9. A permanent stair.

10. A pull down stair with a minimum 300 lb (136 kg) capacity.
11. An access door from an upper floor level.
12. Access Panel may be used in lieu of items 1, 2, and 3 with prior approval of the code official due to building conditions.

Exceptions:

1. The passageway and level service space are not required where the *appliance* is capable of being serviced and removed through the required opening.
2. Where the passageway is not less than ... *{bulk of section to read the same}*.

*****Section 306.5; change to read as follows:**

[M] 306.5 Equipment and Appliances on Roofs or Elevated Structures. Where *equipment* requiring *access* or appliances are located on an elevated structure or the roof of a building such that personnel will have to climb higher than 16 feet (4877 mm) above grade to access, an interior or exterior means of access shall be provided. Exterior ladders providing roof access need not extend closer than 12 feet (2438 mm) to the finish grade or floor level below and shall extend to the *equipment* and appliances' level service space. Such access shall . . . *{bulk of section to read the same}* . . . on roofs having a slope greater than four units vertical in 12 units horizontal (33-percent slope). ... *{remainder of text unchanged}*.

****Section 306.5.1; change to read as follows:**

[M] 306.5.1 Sloped roofs. Where appliances, *equipment*, fans or other components that require service are installed on a roof having a slope of 3 units vertical in 12 units horizontal (25-percent slope) or greater and having an edge more than 30 inches (762 mm) above grade at such edge, a catwalk at least 16 inches in width with substantial cleats spaced not more than 16 inches apart shall be provided from the roof access to a level platform at the appliance. The level platform shall be provided on each side of the appliance to which access is required for service, repair or maintenance. The platform shall be not less than 30 inches (762 mm) in any dimension and shall be provided with guards. The guards shall extend not less than 42 inches (1067 mm) above the platform, shall be constructed so as to prevent the passage of a 21-inch-diameter (533 mm) sphere and shall comply with the loading requirements for guards specified in the *International Building Code*.

****Section 401.5; add a second paragraph to read as follows:**

Both ends of each section of medium pressure gas piping shall identify its operating gas pressure with an approved tag. The tags are to be composed of aluminum or stainless steel and the following wording shall be stamped into the tag:

"WARNING
1/2 to 5 psi gas pressure
Do Not Remove"

****Section 404.12; change to read as follows:**

404.12 Minimum burial depth. Underground piping systems shall be installed a minimum depth of ~~12~~ 18 inches (~~305~~ 458 mm) top of pipe below grade, ~~except as provided for in Section 404.12.1.~~

404.12.1 Delete in its entirety

****Section 406.4; change to read as follows:**

406.4 Test pressure measurement. Test pressure shall be measured with a monometer or with a pressure-measuring device designed and calibrated to read, record, or indicate a pressure loss caused by leakage during the pressure test period. The source of pressure shall be isolated before the pressure tests are made. ~~Mechanical gauges used to measure test pressures shall have a range such that the highest end of the scale is not greater than five times the test pressure.~~

****Section 406.4.1; change to read as follows:**

406.4.1 Test pressure. The test pressure to be used shall be no less than ~~1 1/2~~ 3 times the proposed maximum working pressure, but no less than ~~3~~ 3 psig (20 kPa gauge), or at the discretion of the Code Official, the piping and valves may be tested at a pressure of at least six (6) inches (152 mm) of mercury, measured with a manometer or slope gauge, irrespective of design pressure. Where the test pressure exceeds 125 psig (862 kPa gauge), the test pressure shall not exceed a value that produces a hoop stress in the piping greater than 50 percent of the specified minimum yield strength of the pipe. For tests requiring a pressure of 3 psig, diaphragm gauges shall utilize a dial with a minimum diameter of three and one half inches (3 1/2"), a set hand, 1/10 pound incrementation and pressure range not to exceed 6 psi for tests requiring a pressure of 3 psig. For tests requiring a pressure of 10 psig, diaphragm gauges shall utilize a dial with a minimum diameter of three and one-half inches (3 1/2"), a set hand, a minimum of 2/10 pound incrementation and a pressure range not to exceed 20 psi. For welded piping, and for piping carrying gas at pressures in excess of fourteen (14) inches water column pressure

(3.48 kPa) (1/2 psi) and less than 200 inches of water column pressure (52.2 kPa) (7.5 psi), the test pressure shall not be less than ten (10) pounds per square inch (69.6 kPa). For piping carrying gas at a pressure that exceeds 200 inches of water column (52.2 kPa) (7.5 psi), the test pressure shall be not less than one and one-half times the proposed maximum working pressure.

Diaphragm gauges used for testing must display a current calibration and be in good working condition. The appropriate test must be applied to the diaphragm gauge used for testing.

****Section 409.1; add Section 409.1.4 to read as follows:**

409.1.4 Valves in CSST installations. Shutoff valves installed with corrugated stainless steel (CSST) piping systems shall be supported with an *approved* termination fitting, or equivalent support, suitable for the size of the valves, of adequate strength and quality, and located at intervals so as to prevent or damp out excessive vibration but in no case greater than 12-inches from the center of the valve. Supports shall be installed so as not to interfere with the free expansion and contraction of the system's piping, fittings, and valves between anchors. All valves and supports shall be designed and installed so they will not be disengaged by movement of the supporting piping.

****Section 410.1; add a second paragraph and exception to read as follows:**

Access to regulators shall comply with the requirements for access to appliances as specified in Section 306.

Exception: A passageway or level service space is not required when the regulator is capable of being serviced and removed through the required attic opening.

****Section 621.2; add exception as follows:**

621.2 Prohibited use. One or more unvented room heaters shall not be used as the sole source of comfort heating in a dwelling unit.

Exception: Existing *approved* unvented heaters may continue to be used in dwelling units, in accordance with the code provisions in effect when installed, when *approved* by the Code Official unless an unsafe condition is determined to exist as described in Section 108.7.

Sec. 6-29. Energy Conservation Code

The International Energy Conservation Code 2018 edition, as amended herein, is hereby adopted as the plumbing code of the City. A copy of such code will be kept in the City Secretary's office and will be available for public inspection at all times during regular hours.

(f) Amendments

The following sections, paragraphs, and sentences, of the International Energy Conservation code, 2018 edition, are hereby amended to read as follows:

**** Section R101.1 amend to insert the Department Name**

CITY OF FATE DEPARTMENT OF BUILDING SAFETY

R101.1 Title. These regulations shall be known as the Energy Conservation code of the City of Fate department of Building Safety hereinafter referred to as "this code."

2018 IECC (Energy Provisions of the 2018 IRC)

****Section C102/R102 General; add Section C102.1.2 and R102.1.2 (N1101.4.1) to read as follows:**

C102.1.2 Alternative compliance. A building certified by a national, state, or local accredited energy efficiency program and determined by the Energy Systems Laboratory to be in compliance with the energy efficiency requirements of this section may, at the option of the Code Official, be considered in compliance. The United States Environmental Protection Agency's Energy Star Program certification of energy code equivalency shall be considered in compliance.

R102.1.2 (N1101.4.1) Alternative compliance. A building certified by a national, state, or local accredited energy efficiency program and determined by the Energy Systems Laboratory to be in compliance with the energy efficiency requirements of this section may, at the option of the Code Official, be considered in compliance. The United States Environmental Protection Agency's Energy Star Program certification of energy code equivalency shall be considered in compliance. Regardless of the program or the path to compliance, each 1- and 2-family dwelling shall be tested for air and duct leakage as prescribed in Section R402.4.1.2 (N1102.4.1.2) and R403.3.3 (N1103.3.3) respectively.

Section R202 (N1101.6) Definitions; add the following definition:

****PROJECTION FACTOR.** The ratio of the horizontal depth of the overhang, eave or

permanently attached shading device, divided by the distance measured vertically from the bottom of the fenestration glazing to the underside of the overhang, eave or permanently attached shading device.

Section R202 (N1101.6) Definitions; add the following definition:

****DYNAMIC GLAZING.** Any fenestration product that has the fully reversible ability to change its performance properties, including *U*-factor, solar heat gain coefficient (SHGC), or visible transmittance (VT).

*****Table 402.1.2 (N1102.1.2) INSULATION AND FENESTRATION REQUIREMENTS BY COMPONENT; the Fenestration U-factor for Climate Zone 3 is amended as follows:**

| CLIMATE ZONE | FENESTRATION U-FACTOR |
|--------------|-----------------------|
| 3 | 0.32 <u>0.35</u> |

*****Table 402.1.4 (N1102.1.4) EQUIVALENT U-FACTORS; the Fenestration U-factor for Climate Zone 3 is amended as follows:**

| CLIMATE ZONE | FENESTRATION U-FACTOR |
|--------------|-----------------------|
| 3 | 0.32 <u>0.35</u> |

****Section R402.3.2 (N1102.3.2) Glazed fenestration SHGC; amend by adding a paragraph and table following the exception to read as follows:**

Where vertical fenestration is shaded by an overhang, eave, or permanently attached shading device, the SHGC required in Table R402.1.2 shall be reduced by using the multipliers in Table R402.3.2 SHGC Multipliers for Permanent Projections.

Table R402.3.2 SHGC Multipliers for Permanent Projections ^a

| Projection Factor | SHGC Multiplier (all Other Orientation) | SHGC Multiplier (North Oriented) |
|-------------------|-----------------------------------------|----------------------------------|
| 0 - 0.10 | 1.00 | 1.00 |
| >0.10 – 0.20 | 0.91 | 0.95 |
| >0.20 – 0.30 | 0.82 | 0.91 |
| >0.30 – 0.40 | 0.74 | 0.87 |
| >0.40 – 0.50 | 0.67 | 0.84 |
| >0.50 – 0.60 | 0.61 | 0.81 |
| >0.60 – 0.70 | 0.56 | 0.78 |
| >0.70 – 0.80 | 0.51 | 0.76 |
| >0.80 – 0.90 | 0.47 | 0.75 |

| | | |
|--------------|------|------|
| >0.90 – 1.00 | 0.44 | 0.73 |
|--------------|------|------|

^a North oriented means within 45 degrees of true north.

****R402.4.1.2 (N1102.4.1.2) Testing; add a last paragraph to read as follows:**

Mandatory testing shall only be performed by individuals that are certified to perform air infiltration testing certified by national or state organizations as approved by the building official. The certified individuals must be an independent third-party entity, and may not be employed; or have any financial interest in the company that constructs the structure.

*****Section R402.4 (N1102.4) Air leakage (Mandatory); add a new section and table to read as follows:**

R402.4.1.3 (N1102.4.1.3) Testing option – ACH tradeoff. As an option to the air leakage rate set out in Section R402.4.1.2 (N1102.4.1.2), 1- and 2-family homes meeting all of the listed criteria below and the *thermal envelope* requirements in Table R402.4.1.3 (N1102.4.1.3) will be considered compliant when tested and verified as having an air leakage rate to not less than or equal to four air changes per hour when tested and reported in accordance with the testing standards and reporting criteria listed in Section R402.4.1.2 (N1102.4.1.2).

The compliance equivalency is limited as follows:

1. Limited to a conditioned floor area between 1,000 and 6,000 square feet,
2. Limited to between 2 to 6 bedrooms,
3. Assumes all ductwork and mechanical equipment is located in the unconditioned attic,
4. Assumes typical wood framing in the walls and roof, and
5. Assumes one of the following heating/cooling systems:
 - a. All electric system with a heat pump for heating, or
 - b. A system with electric cooling and natural gas heating.

Dwellings using electric resistance strip heating do not qualify for this tradeoff.

TABLE R402.4.1.3 (N1102.4.1.3)^a

| Envelope Component | Option #1 | Option #2 |
|---------------------------------|-----------------------|-----------------------|
| R402.4 Air Leakage | ≤ 4 ACH50 | ≤ 4 ACH50 |
| Wall Insulation <i>R</i> -value | R13 + R3 ^b | R13 + R3 ^b |
| Fenestration <i>U</i> -factor | ≤ | ≤ |
| Fenestration SHGC | ≤ | ≤ |
| Ceiling <i>R</i> -value | ≥ | ≥ |
| Duct Insulation <i>R</i> -value | R8 | R6 |
| Radiant Barrier Required | No | Yes |

^a Except for the values listed in the table, all other mandatory code provisions are

applicable.

^b The first value listed is the *R*-value of cavity insulation, the second value is the *R*-value of the continuous insulation or insulated siding.

***** Section R402.4 Air leakage (Mandatory); add a new section to read as follows:**

R402.4.1.4 Testing options for R2 multifamily dwelling units. As an option to the air leakage rate set out in Section R402.4.1.2, multifamily dwelling units will be considered compliant when tested and verified as having an air leakage rate to the air leakage rate set out in either Section R402.4.1.4.1 or Section R402.4.1.4.2 when tested and reported in accordance with the testing standards and reporting criteria listed in Section R402.4.1.2

R402.4.1.4.1 Total air leakage rate for interior multifamily dwelling units. Interior multifamily dwelling units with a measured, “unguarded” total air leakage result of 5.3 ACH50 or less shall be considered compliant.

R402.4.1.4.2 Total air leakage rate for corner multifamily dwelling units. Corner multifamily units with a measured, “unguarded” total leakage result of less than 5.0 ACH50 shall be considered compliant.

***** Section R402.4 Air leakage (Mandatory); add a new section to read as follows:**

R402.4.1.5 Sampling options for R2 multifamily dwelling units. For buildings having three or more

dwelling units, a minimum of 15% of the dwelling units in each building must be tested as required by Section R402.4.1.2. Prior to beginning sampling for testing, “Initial Testing” is required for each multifamily property. “Initial Testing” shall consist of the 3rd party testing contractor performing the required tests on at least three consecutive dwelling units. Test results from the “Initial Testing” must satisfy minimum code requirements before sampling is permitted. Dwelling units selected for the “Initial Testing” must be within the same building. Dwelling units selected for “Initial Testing” shall not be included in a “sample group” or counted toward the minimum 15% of dwelling units tested. The building official shall randomly select the three dwelling units for “Initial Testing.” The building official may delegate the random selection to the designated 3rd party testing contractor.

R402.4.1.5.1 Sample group Identification and Sampling. The builder shall identify a “sample group” which may be a building, floor, fire area or portion thereof. All of the dwelling units within the “sample group” must be at the same stage of construction and must be ready for testing. The building official shall randomly select at least 15% of dwelling units from each “sample group” for testing. The building official may delegate the random selection to the designated 3rd party testing contractor.

If each tested dwelling unit within a “sample group” meets the minimum code requirements, then all dwelling units in the “sample group” are considered to meet the minimum code requirements.

Before a building may be deemed compliant with the testing as required, each “sample group” must be deemed compliant with the minimum code requirements. The sum total of all of the tested dwelling units across all “sample groups” shall not be less than a minimum of 15% of the dwelling units in a building.

R402.4.1.5.2 Failure to Meet Code Requirement(s). If any dwelling units within the identified “sample group” fail to meet a code requirement as determined by testing, the builder will be directed to correct the cause(s) of failure, and 30% of the remaining dwelling units in the “sample group” will be randomly selected for testing by the building official, or third-party testing contractor, regarding the specific cause(s) of failure.

If any failures occur in the additional dwelling units, all remaining dwelling units in the sample group must be individually tested for code compliance.

A multifamily property with three failures within a 90-day period is no longer eligible to use the sampling protocol in that community or project until successfully repeating "Initial Testing." Sampling may be reinstated after at least three consecutive dwelling units are individually verified to meet all code requirements.

A Certificate of Occupancy may not may be issued for any building until testing has been performed and deemed to satisfy the minimum code requirements on the dwelling unit(s) identified for testing.

**** R403.3.3 (N1103.3.3) Duct Testing (Mandatory); add a last paragraph to read as follows:**

Mandatory testing shall only be performed by individuals that are certified to perform duct testing leakage testing certified by national or state organizations as approved by the building official. The certified individuals must be an independent third-party entity, and may not be employed; or have any financial interest in the company that constructs the structure.

***** Section R403.3 Ducts; add a new section to read as follows:**

R403.3.4.1 Sampling options for R2 multifamily dwelling units. For buildings having three or more dwelling units, a minimum of 15% of the dwelling units in each building must be tested as required by Section R403.3.3. Prior to beginning sampling for testing, “Initial Testing” is required for each multifamily property. “Initial Testing” shall consist of the 3rd party testing contractor performing the required tests on at least three consecutive dwelling units. Test results from the “Initial Testing” must satisfy minimum

code requirements before sampling is permitted. Dwelling units selected for the "Initial Testing" must be within the same building. Dwelling units selected for "Initial Testing" shall not be included in a "sample group" or counted toward the minimum 15% of dwelling units tested. The building official shall randomly select the three dwelling units for "Initial Testing." The building official may delegate the random selection to the designated 3rd party testing contractor.

R403.3.4.1.1 Sample group Identification and Sampling. The builder shall identify a "sample group" which may be a building, floor, fire area or portion thereof. All of the dwelling units within the "sample group" must be at the same stage of construction and must be ready for testing. The building official shall randomly select at least 15% of dwelling units from each "sample group" for testing. The building official may delegate the random selection to the designated 3rd party testing contractor.

If each tested dwelling unit within a "sample group" meets the minimum code requirements, then all dwelling units in the "sample group" are considered to meet the minimum code requirements.

Before a building may be deemed compliant with the testing as required, each "sample group" must be deemed compliant with the minimum code requirements. The sum total of all of the tested dwelling units across all "sample groups" shall not be less than a minimum of 15% of the dwelling units in a building.

R403.3.4.1.2 Failure to Meet Code Requirement(s). If any dwelling units within the identified "sample group" fail to meet a code requirement as determined by testing, the builder will be directed to correct the cause(s) of failure, and 30% of the remaining dwelling units in the "sample group" will be randomly selected for testing by the building official, or third-party testing contractor, regarding the specific cause(s) of failure.

If any failures occur in the additional dwelling units, all remaining dwelling units in the sample group must be individually tested for code compliance.

A multifamily property with three failures within a 90-day period is no longer eligible to use the sampling protocol in that community or project until successfully repeating "Initial Testing." Sampling may be reinstated after at least three consecutive dwelling units are individually verified to meet all code requirements.

A Certificate of Occupancy may not may be issued for any building until testing has been performed and deemed to satisfy the minimum code requirements on the dwelling unit(s) identified for testing.

****Section C402.2/R402.2 (N1102.2) Specific insulation requirements (Prescriptive); add Section C402.2.8 and R402.2.14 (N1102.2.14) to read as follows:**

Section C402.2.8/R402.2.14 (N1102.2.14) Insulation installed in walls. Insulation installed in walls shall be totally enclosed on all sides consisting of framing lumber, gypsum, sheathing, wood structural panel sheathing or other equivalent material approved by the building official.

*****Section C403.7.4 Energy recovery ventilation systems (Mandatory); add exception #12 to read as follows:**

12. Individual ventilation systems that serve an individual dwelling unit or sleeping unit.

*****Section C403.11.1 Duct and Plenum Insulation and Sealing (Mandatory); is amended by adding a second paragraph to read as follows:**

Environmental ducts and plenums installed in vertical chases, both supply and exhaust, where the ducts or plenums will not be accessible after construction completion, shall be leak tested in accordance with the SMACNA HVAC Air Leakage Test Manual to the installed ductwork class and pressure requirements.

Documentation shall be furnished demonstrating that representative sections totaling not less than 25 percent of the duct area have been tested and that all tested sections comply with the requirements of this section.

*****Section R404.1 (N1104.1); revised in its entirety to read as follows:**

Section R404.1 (N1104.1) Lighting equipment (Mandatory). Not less than 75 percent of the lamps in permanently installed lighting fixtures or not less than 75 percent of the permanently installed lighting fixtures shall contain only high-efficacy lamps.

****Section 405.2 (N1105.2); add the exception to read as follows:**

Section 405.2 (N1105.2) Mandatory requirements. Compliance with the section requires that the mandatory provisions identified in Section 401.2 be met. Supply and return ducts not completely inside the building thermal envelope shall be insulated to an R-value of not less than R-6.

Exceptions:

1. For one and two family dwellings the maximum envelope leakage of 4 ACH50 is permitted provided the envelope leakage in the Standard Reference Design is 3 ACH50 and all other requirements of Section R405 are met, including all

other mandatory measures. The annual energy cost or source energy usage of the Proposed Design must be equal to or less than that of the Standard Reference Design.

2. For multifamily or townhomes and buildings classified as Group R2 and Group R4 of three stories or less the maximum envelope leakage of less than 5 ACH50 is permitted provided the envelope leakage in the Standard Reference Design is 3 ACH50 and all other requirements of Section R405 are met, including all other mandatory measures. The annual energy cost or source energy usage of the Proposed Design must be equal to or less than that of the Standard Reference Design.

****Section R405.6.2 (N1105.6.2); add the following sentence to the end of paragraph:**

Acceptable performance software simulation tools may include, but are not limited to, REM Rate™; Energy Gauge®; ICF International Beacon Residential; Ekotrope, HERS Module; Right-Energy HERS and IC3. Other performance software programs as listed by RESNET® and having the ability to provide a report as outlined in R405.4.2 may also be deemed acceptable performance simulation programs and may be considered by the building official.

(Reason: These performance software tools are listed by RESNET at the time of recommendation.)

*****Section C405.9. Voltage drop in feeders; deleted in its entirety.**

****TABLE R406.4 (N1106.4) MAXIMUM ENERGY RATING INDEX; amend to read as follows:**

**TABLE R406.4 (N1106.4) ¹
MAXIMUM ENERGY RATING INDEX**

| CLIMATE ZONE | ENERGY RATING INDEX |
|--------------|---------------------|
| 3 | 65 |

¹ This table is effective until August 31, 2019.

**TABLE R406.4 (N1106.4) ²
MAXIMUM ENERGY RATING INDEX**

| CLIMATE ZONE | ENERGY RATING INDEX |
|--------------|---------------------|
| 3 | 63 |

² The table is effective from September 1, 2019 to August 31, 2022.

TABLE R406.4 (N1106.4)³
MAXIMUM ENERGY RATING INDEX

| CLIMATE ZONE | ENERGY RATING INDEX |
|--------------|---------------------|
| 3 | 59 |

³ This table is effective on or after September 1, 2022.

*****Section C408.3.1 Functional Testing; amend to read as follows:**

C408.3.1 Functional Testing. Prior to passing final inspection, the *registered design professional or approved agency* shall provide evidence that the lighting control systems have been tested to ensure that control hardware and software are calibrated, adjusted, programmed, and in proper working condition in accordance with the *construction documents* and manufacturer's instructions. Functional testing shall be in accordance with Sections C408.3.1.1 through C408.3.1.3 for the applicable control type.

Sec. 6-30. Fire Code

The International Fire Code 2018 edition, as amended herein, is hereby adopted as the plumbing code of the City. A copy of such code will be kept in the City Secretary's office and will be available for public inspection at all times during regular hours.

(g) Amendments

The following sections, paragraphs, and sentences, of the International Fire code, 2018 edition, are hereby amended to read as follows:

**** Section R101.1 amend to insert the Department Name**

CITY OF FATE DEPARTMENT OF PUBLIC SAFETY

R101.1 Title. These regulations shall be known as the Fire code of the City of Fate department of Public Safety hereinafter referred to as "this code

****Section 102.1; change #3 to read as follows:**

3. Existing structures, facilities, and conditions when required in Chapter 11 or in specific sections of this code.

****Section 105.3.3; change to read as follows:**

105.3.3 Occupancy Prohibited before Approval. The building or structure shall not be occupied prior to the fire code official issuing a permit when required and conducting associated inspections indicating the applicable provisions of this code have been met.

****Section 105.7; add Section 105.7.26 to read as follows:**

105.7.26 Electronic access control systems. Construction permits are required for the installation or modification of an electronic access control system, as specified in Chapter 10. A separate construction permit is required for the installation or modification of a fire alarm system that may be connected to the access control system. Maintenance performed in accordance with this code is not considered a modification and does not require a permit.

****Section 202; amend and add definitions to read as follows:**

**** [B] AMBULATORY CARE FACILITY.** Buildings or portions thereof used to provide medical, surgical, psychiatric, nursing, or similar care on a less than 24-hour basis to

persons who are rendered incapable of self-preservation by the services provided or staff has accepted responsibility for care recipients already incapable. This group may include but not be limited to the following:

- Dialysis centers
- Procedures involving sedation
- Sedation dentistry
- Surgery centers
- Colonic centers
- Psychiatric centers

(Reason: to clarify the range of uses included in the definition)

**** [B] ATRIUM.** An opening connecting ~~two~~ three or more stories... *{remaining text unchanged}*

(Reason: Accepted practice in the region based on legacy codes. IBC Section 1009 permits unenclosed two story stairways under certain circumstances.)

**** [B] DEFEND IN PLACE.** A method of emergency response that engages building components and trained staff to provide occupant safety during an emergency. Emergency response involves remaining in place, relocating within the building, or both, without evacuating the building.

****FIRE WATCH.** A temporary measure intended to ensure continuous and systematic surveillance of a building or portion thereof by one or more qualified individuals or standby personnel when required by the fire code official, for the purposes of identifying and controlling fire hazards, detecting early signs of unwanted fire, raising an alarm of fire and notifying the fire department.

****FIREWORKS.** Any composition or device for the purpose of producing a visible or an audible effect for entertainment purposes by combustion, *deflagration*, ~~or~~ *detonation*, and/or activated by ignition with a match or other heat producing device that meets the definition of 1.3G fireworks or 1.4G fireworks. ... *{Remainder of text unchanged}*...

****Option B**

HIGH-PILED COMBUSTIBLE STORAGE: *add a second paragraph to read as follows:*

Any building classified as a group S Occupancy or Speculative Building exceeding 6,000 sq. ft. that has a clear height in excess of 14 feet, making it possible to be used for storage in excess of 12 feet, shall be considered to be high-piled storage. When a specific product cannot be identified, a fire protection system and life safety features shall be installed as for Class IV commodities, to the maximum pile height.

****Option B**

HIGH-RISE BUILDING. A building with an occupied floor located more than ~~75~~ 55 feet (~~22-860~~ 16 764 mm) above the lowest level of fire department vehicle access.

****REPAIR GARAGE.** A building, structure or portion thereof used for servicing or repairing motor vehicles. This occupancy shall also include garages involved in minor repair, modification and servicing of motor vehicles for items such as lube changes, inspections, windshield repair or replacement, shocks, minor part replacement, and other such minor repairs.

****SELF-SERVICE STORAGE FACILITY.** Real property designed and used for the purpose of renting or leasing individual storage spaces to customers for the purpose of storing and removing personal property on a self-service basis.

****STANDBY PERSONNEL.** Qualified fire service personnel, approved by the Fire Chief. When utilized, the number required shall be as directed by the Fire Chief. Charges for utilization shall be as normally calculated by the jurisdiction.

****UPGRADED OR REPLACED FIRE ALARM SYSTEM.** A fire alarm system that is upgraded or replaced includes, but is not limited to the following:

- Replacing one single board or fire alarm control unit component with a newer model
- Installing a new fire alarm control unit in addition to or in place of an existing one
- Conversion from a horn system to an emergency voice/alarm communication system
- Conversion from a conventional system to one that utilizes addressable or analog devices

The following are not considered an upgrade or replacement:

- Firmware updates
- Software updates
- Replacing boards of the same model with chips utilizing the same or newer firmware

****Section 307.1.1; change to read as follows:**

307.1.1 Prohibited Open Burning. Open burning ~~shall be prohibited~~ that is offensive or objectionable because of smoke emissions or when atmospheric conditions or local circumstances make such fires hazardous shall be prohibited.

Exception: {No change.}

****Section 307.2; change to read as follows:**

307.2 Permit Required. A permit shall be obtained from the *fire code official* in accordance with Section 105.6 prior to kindling a fire for recognized silvicultural or range or wildlife management practices, prevention or control of disease or pests, or open burning ~~a bonfire~~. Application for such approval shall only be presented by and permits issued to the owner of the land upon which the fire is to be kindled.

Examples of state or local law, or regulations referenced elsewhere in this section may include but not be limited to the following:

1. Texas Commission on Environmental Quality (TCEQ) guidelines and/or restrictions.
2. State, County, or Local temporary or permanent bans on open burning.
3. Local written policies as established by the *fire code official*.

****Section 307.3; change to read as follows:**

307.3 Extinguishment Authority. ~~When open burning creates or adds to a hazardous situation, or a required permit for open burning has not been obtained, the fire code official is authorized to order the extinguishment of the open burning operation.~~ The fire code official is authorized to order the extinguishment by the permit holder, another person responsible or the fire department of open burning that creates or adds to a hazardous or objectionable situation.

****Section 307.4; change to read as follows:**

307.4 Location. The location for open burning shall not be less than ~~50~~ 300 feet (~~15-240~~ 91 440 mm) from any structure, and provisions shall be made to prevent the fire from spreading to within ~~50~~ 300 feet (~~15-240~~ 91 440 mm) of any structure.

Exceptions: {No change.}

****Section 307.4.3, Exceptions; add exception #2 to read as follows:**

Exceptions:

2. Where buildings, balconies and decks are protected by an approved automatic sprinkler system.

****Section 307.4.4 and 5; add section 307.4.4 **Section 307.4.4 and 307.4.5; change to read as follows:**

307.4.4 Permanent Outdoor Firepit. Permanently installed outdoor firepits for recreational fire purposes shall not be installed within 10 feet of a structure or combustible material.

Exception: Permanently installed outdoor fireplaces constructed in accordance with the International Building Code.

307.4.5 Trench Burns. Trench burns shall be conducted in air curtain trenches and in accordance with Section 307.2.

****Section 307.5; change to read as follows:**

307.5 Attendance. Open burning, trench burns, bonfires, recreational fires, and use of portable outdoor fireplaces shall be constantly attended until the... {Remainder of section unchanged}

****Section 308.1.4; change to read as follows:**

308.1.4 Open-flame Cooking Devices. ~~Charcoal burners and other o~~Open-flame cooking devices, charcoal grills and other similar devices used for cooking shall not be operated located or used on combustible balconies, decks, or within 10 feet (3048 mm) of combustible construction.

Exceptions:

1. One- and two-family dwellings, except that LP-gas containers are limited to a water capacity not greater than 50 pounds (22.68 kg) [nominal 20 pound (9.08 kg) LP-gas capacity] with an aggregate LP-gas capacity not to exceed 100 pounds (5 containers).
2. Where buildings, balconies and decks are protected by an approved automatic sprinkler system, except that LP-gas containers are limited to a water capacity not greater than 50 pounds (22.68 kg) [nominal 20 pound (9.08 kg) LP-gas capacity], with an aggregate LP-gas capacity not to exceed 40 lbs. (2 containers).
3. {No change.}

****Section 308.1.6.2, Exception #3; change to read as follows:**

Exceptions:

3. Torches or flame-producing devices in accordance with Section ~~308.4~~
308.1.3.

****Section 308.1.6.3; change to read as follows:**

308.1.6.3 Sky Lanterns. A person shall not release or cause to be released an ~~untethered unmanned free-floating device containing an open flame or other heat source,~~
such as but not limited to a sky lantern.

****Section 311.5; change to read as follows:**

311.5 Placards. ~~Any~~ The fire code official is authorized to require marking of any vacant or abandoned buildings or structures determined to be unsafe pursuant to Section 110 of this code relating to structural or interior hazards, ~~shall be marked~~ as required by Section 311.5.1 through 311.5.5.

****Section 403.5; change Section 403.5 to read as follows:**

403.5 Group E Occupancies. An approved fire safety and evacuation plan in accordance with Section 404 shall be prepared and maintained for Group E occupancies and for buildings containing both a Group E occupancy and an atrium. A diagram depicting two evacuation routes shall be posted in a conspicuous location in each classroom. Group E occupancies shall also comply with Sections 403.5.1 through 403.5.3.

****Section 404.2.2; add Number 4.10 to read as follows:**

4.10 Fire extinguishing system controls.

(Reason: The committee believed this information could be of great help to such plans to facilitate locating sprinkler valves to minimize water damage, for instance.)

****Section 405.4; change Section 405.4 to read as follows:**

405.4 Time. The fire code official may require an evacuation drill at any time. Drills shall be held at unexpected times and under varying conditions to simulate the unusual conditions that occur in case of fire.

****Section 501.4; change to read as follows:**

501.4 Timing of Installation. When fire apparatus access roads or a water supply for fire protection is required to be installed for any structure or development, they shall be installed, tested, and approved prior to the time of which construction has progressed beyond completion of the foundation of any structure. , ~~such protection shall be installed and made serviceable prior to and during the time of construction except when approved alternative methods of protection are provided. Temporary street signs shall be installed at each street intersection when construction of new roadways allows passage by vehicles in accordance with Section 505.2.~~

****Section 503.1.1; add sentence to read as follows:**

Except for one- or two-family dwellings, the path of measurement shall be along a minimum of a ten feet (10') wide unobstructed pathway around the external walls of the structure.

****Section 503.2.1; change to read as follows:**

503.2.1 Dimensions. Fire apparatus access roads shall have an unobstructed width of not less than ~~20-24 feet (6096 mm)~~ 7315 mm, exclusive of shoulders, except for approved security gates in accordance with Section 503.6, and an unobstructed vertical clearance of not less than ~~13 feet 6 inches (4115 mm)~~ 14 feet (4267 mm).

Exception: Vertical clearance may be reduced; provided such reduction does not impair access by fire apparatus and approved signs are installed and maintained indicating the established vertical clearance when approved.

****Section 503.2.2; change to read as follows:**

503.2.2 Authority. The *fire code official* shall have the authority to require an increase in the minimum access widths and vertical clearances where they are inadequate for fire or rescue operations.

****Section 503.2.3; change Section 503.2.3 to read as follows:**

503.2.3 Surface. Fire apparatus access roads shall be designed and maintained to support imposed loads of 80,000 Lbs. for fire apparatus and shall be surfaced so as to provide all-weather driving capabilities.

****Section 503.3; change to read as follows:**

503.3 Marking. ~~Where required by the fire code official, approved signs or other approved notices or markings that include the words NO PARKING — FIRE LANE~~ Striping, signs, or other markings, when approved by the fire code official, shall be provided for fire apparatus access roads to identify such roads or prohibit the obstruction thereof. The means by which fire lanes are designated Striping, signs and other markings shall be maintained in a clean and legible condition at all times and be replaced or repaired when necessary to provide adequate visibility.

(1) Striping – Fire apparatus access roads shall be continuously marked by painted lines of red traffic paint six inches (6”) in width to show the boundaries of the lane. The words “NO PARKING FIRE LANE” or “FIRE LANE NO PARKING” shall appear in four inch (4”) white letters at 25 feet intervals on the red border markings along both sides of the fire lanes. Where a curb is available, the striping shall be on the vertical face of the curb.

(2) Signs – Signs shall read “NO PARKING FIRE LANE” or “FIRE LANE NO PARKING” and shall be 12” wide and 18” high. Signs shall be painted on a white background with letters and borders in red, using not less than 2” lettering. Signs shall be permanently affixed to a stationary post and the bottom of the sign shall be six feet, six inches (6’6”) above finished grade. Signs shall be spaced not more than fifty feet (50’) apart along both sides of the fire lane. Signs may be installed on permanent buildings or walls or as approved by the Fire Chief.

****Section 503.4; change to read as follows:**

503.4 Obstruction of Fire Apparatus Access Roads. Fire apparatus access roads shall not be obstructed in any manner, including the parking of vehicles. The minimum widths and clearances established in Section 503.2.1 and any area marked as a fire lane as described in Section 503.3 shall be maintained at all times.

****Section 505.1; change to read as follows:**

505.1 Address Identification. New and existing buildings shall be provided with approved address identification. The address identification shall be legible and placed in a position that is visible from the street or road fronting the property. Address identification characters shall contrast with their background. Address numbers shall be Arabic numbers or alphabetical letters. Numbers shall not be spelled out. Each character shall be not less than ~~4 inches (102 mm)~~ 6 inches (152.4 mm) high with a minimum stroke width of 1/2 inch (12.7 mm). Where required by the fire code official, address numbers shall be provided in additional approved locations to facilitate emergency response. Where access is by means of a private road, buildings do not immediately front a street, and/or the building cannot be viewed from the public way, a monument, pole or other sign

with approved 6 inch (152.4 mm) height building numerals or addresses and 4 inch (101.6 mm) height suite/apartment numerals of a color contrasting with the background of the building or other approved means shall be used to identify the structure. Numerals or addresses shall be posted on a minimum 20 inch (508 mm) by 30 inch (762 mm) background on border. Address identification shall be maintained.

Exception: R-3 Single Family occupancies shall have approved numerals of a minimum 3 ½ inches (88.9 mm) in height and a color contrasting with the background clearly visible and legible from the street fronting the property and rear alleyway where such alleyway exists.

****Section 507.4; change to read as follows:**

507.4 Water Supply Test Date and Information. The water supply test used for hydraulic calculation of fire protection systems shall be conducted in accordance with NFPA 291 “Recommended Practice for Fire Flow Testing and Marking of Hydrants” and within one year of sprinkler plan submittal. The *fire code official* shall be notified prior to the water supply test. Water supply tests shall be witnessed by the *fire code official*, as required or approved documentation of the test shall be provided to the *fire code official* prior to final approval of the water supply system. The exact location of the static/residual hydrant and the flow hydrant shall be indicated on the design drawings. All fire protection plan submittals shall be accompanied by a hard copy of the waterflow test report, or as approved by the *fire code official*. The report must indicate the dominant water tank level at the time of the test and the maximum and minimum operating levels of the tank, as well, or identify applicable water supply fluctuation. The licensed contractor must then design the fire protection system based on this fluctuation information, as per the applicable referenced NFPA standard. Reference Section 903.3.5 for additional design requirements.

****Section 507.5.4; change to read as follows:**

507.5.4 Obstruction. Unobstructed access to fire hydrants shall be maintained at all times. Posts, fences, vehicles, growth, trash, storage and other materials or objects shall not be placed or kept near fire hydrants, fire department inlet connections or fire protection system control valves in a manner that would prevent such equipment or fire hydrants from being immediately discernible. The fire department shall not be deterred or hindered from gaining immediate access to fire protection equipment or fire hydrants.

****Section 509.1.2; add new Section 509.1.2 to read as follows:**

509.1.2 Sign Requirements. Unless more stringent requirements apply, lettering for signs required by this section shall have a minimum height of 2 inches (50.8 mm) when located inside a building and 4 inches (101.6 mm) when located outside, or as approved by the *fire code official*. The letters shall be of a color that contrasts with the background.

*****Section 603.3.2 and 603.3.2.1; change to read as follows:**

603.3.1 Fuel oil storage in outside, above-ground tanks. Where connected to a fuel-oil piping system, the maximum amount of fuel oil storage allowed outside above ground without additional protection shall be 660 gallons (2498 L). The storage of fuel oil above ground in quantities exceeding 660 gallons (2498 L) shall comply with NFPA 31 and Chapter 57.

603.3.2 Fuel oil storage inside buildings. Fuel oil storage inside buildings shall comply with Sections 603.3.2.1 through 603.3.2.5 ~~or~~ and Chapter 57.

603.3.2.1 Quantity limits. One or more fuel oil storage tanks containing Class II or III *combustible liquid* shall be permitted in a building. The aggregate capacity of all tanks shall not exceed the following:

1. 660 gallons (2498 L) in unsprinklered buildings, where stored in a tank complying with UL 80, UL 142 or UL 2085 for Class III liquids, and also listed as a double-wall/secondary containment tank for Class II liquids.
2. 1,320 gallons (4996 L) in buildings equipped with an *automatic sprinkler* system in accordance with Section 903.3.1.1, where stored in a tank complying with UL 142 or UL 2085 as a double-wall/secondary containment tank.
3. 3,000 gallons (11 356 L) where stored in protected above-ground tanks complying with UL 2085 and Section 5704.2.9.7 and the room is protected by an *automatic sprinkler system* in accordance with Section 903.3.1.1.

****Section 807.5.2.2 and 807.5.2.3; change to read as follows:**

807.5.2.2 Artwork in Corridors. Artwork and teaching materials shall be limited on the walls of corridors to not more than 20 percent of the wall area. Such materials shall not be continuous from floor to ceiling or wall to wall. Curtains, draperies, wall hangings, and other decorative material suspended from the walls or ceilings shall meet the flame propagation performance criteria of NFPA 701 in accordance with Section 807 or be noncombustible.

Exception: Corridors protected by an approved automatic sprinkler system installed in accordance with Section 903.3.1.1 shall be limited to 50 percent of the wall area.

807.5.2.3 Artwork in Classrooms. Artwork and teaching materials shall be limited on walls of classrooms to not more than 50 percent of the specific wall area to which they are attached.

Curtains, draperies, wall hangings and other decorative material suspended from the walls or ceilings shall meet the flame propagation performance criteria of NFPA 701 in accordance with Section 807 or be noncombustible.

****Section 807.5.5.2 and 807.5.5.3; change to read as follows:**

807.5.5.2 Artwork in Corridors. Artwork and teaching materials shall be limited on the walls of corridors to not more than 20 percent of the wall area. Such materials shall not be continuous from floor to ceiling or wall to wall. Curtains, draperies, wall hangings and other decorative material suspended from the walls or ceilings shall meet the flame propagation performance criteria of NFPA 701 in accordance with Section 807 or be noncombustible.

Exception: Corridors protected by an approved automatic sprinkler system installed in accordance with Section 903.3.1.1 shall be limited to 50 percent of the wall area.

807.5.5.3 Artwork in Classrooms. Artwork and teaching materials shall be limited on walls of classrooms to not more than 50 percent of the specific wall area to which they are attached. Curtains, draperies, wall hangings and other decorative material suspended from the walls or ceilings shall meet the flame propagation performance criteria of NFPA 701 in accordance with Section 807 or be noncombustible.

*****Section 901.6.1; add Section 901.6.1.1 to read as follows:**

901.6.1.1 Standpipe Testing. Building owners/managers must maintain and test standpipe systems as per NFPA 25 requirements. The following additional requirements shall be applied to the testing that is required every 5 years:

1. The piping between the Fire Department Connection (FDC) and the standpipe shall be backflushed or inspected by approved camera when foreign material is present or when caps are missing, and also hydrostatically tested for all FDC's on any type of standpipe system. Hydrostatic testing shall also be conducted in accordance with NFPA 25 requirements for the different types of standpipe systems.
2. For any manual (dry or wet) standpipe system not having an automatic water supply capable of flowing water through the standpipe, the tester shall connect hose from a fire hydrant or portable pumping system (as approved by the *fire code official*) to each FDC, and flow water through the standpipe system to the roof outlet to verify that each inlet connection functions properly. Confirm that there are no open hose valves prior to introducing water into a dry standpipe. There is no required pressure criteria at the outlet. Verify that check valves function properly and that there are no closed control valves on the system.
3. Any pressure relief, reducing, or control valves shall be tested in accordance with the requirements of NFPA 25. All hose valves shall be exercised.
4. If the FDC is not already provided with approved caps, the contractor shall install such caps for all FDC's as required by the *fire code official*.

5. Upon successful completion of standpipe test, place a blue tag (as per Texas Administrative Code, Fire Sprinkler Rules for Inspection, Test and Maintenance Service (ITM) Tag) at the bottom of each standpipe riser in the building. The tag shall be check-marked as "Fifth Year" for Type of ITM, and the note on the back of the tag shall read "5 Year Standpipe Test" at a minimum.
6. The procedures required by Texas Administrative Code Fire Sprinkler Rules with regard to Yellow Tags and Red Tags or any deficiencies noted during the testing, including the required notification of the local Authority Having Jurisdiction (*fire code official*) shall be followed.
7. Additionally, records of the testing shall be maintained by the owner and contractor, if applicable, as required by the State Rules mentioned above and NFPA 25.
8. Standpipe system tests where water will be flowed external to the building shall not be conducted during freezing conditions or during the day prior to expected night time freezing conditions.
9. Contact the *fire code official* for requests to remove existing fire hose from Class II and III standpipe systems where employees are not trained in the utilization of this firefighting equipment. All standpipe hose valves must remain in place and be provided with an approved cap and chain when approval is given to remove hose by the *fire code official*.

****Section 901.6.4; add Section 901.6.4 to read as follows:**

901.6.4 False Alarms and Nuisance Alarms. False alarms and nuisance alarms shall not be given, signaled or transmitted or caused or permitted to be given, signaled or transmitted in any manner.

****Section 901.7; change to read as follows:**

901.7 Systems Out of Service. Where a required *fire protection system* is out of service or in the event of an excessive number of activations, the fire department and the *fire code official* shall be notified immediately and, where required by the *fire code official*, the building shall either be evacuated or an *approved fire watch* shall be provided for all occupants left unprotected by the shut down until the *fire protection system* has been returned to service. ... {Remaining text unchanged}

****Section 903.1.1; change to read as follows:**

903.1.1 Alternative Protection. Alternative automatic fire-extinguishing systems complying with Section 904 shall be permitted instead of in addition to automatic sprinkler

protection where recognized by the applicable standard ~~and~~, or as approved by the fire code official.

****Section 903.2; add paragraph to read as follows and delete the exception:**

Automatic Sprinklers shall not be installed in elevator machine rooms, elevator machine spaces, and elevator hoistways, other than pits where such sprinklers would not necessitate shunt trip requirements under any circumstances. Storage shall not be allowed within the elevator machine room. Signage shall be provided at the entry doors to the elevator machine room indicating "ELEVATOR MACHINERY – NO STORAGE ALLOWED."

****Section 903.2.9; add Section 903.2.9.3 to read as follows:**

903.2.9.3 Self-Service Storage Facility. An automatic sprinkler system shall be installed throughout all self-service storage facilities.

****Option B**

Section 903.2.11; change 903.2.11.3 and add 903.2.11.7, 903.2.11.8, and 903.2.11.9 as follows:

903.2.11.3 Buildings ~~55~~ 35 feet or more in height. An automatic sprinkler system shall be installed throughout buildings that have one or more stories with an occupant load of ~~30 or more~~, other than penthouses in compliance with Section 1510 of the International Building Code, located ~~55 35~~ feet (~~16 764~~ 10 668 mm) or more above the lowest level of fire department vehicle access, measured to the finished floor.

Exceptions:

- 1.—Open parking structures in compliance with Section 406.5 of the International Building Code, having no other occupancies above the subject garage.
- 2.—Occupancies in Group F-2.

903.2.11.7 High-Piled Combustible Storage. For any building with a clear height exceeding 12 feet (4572 mm), see Chapter 32 to determine if those provisions apply.

903.2.11.8 Spray Booths and Rooms. New and existing spray booths and spraying rooms shall be protected by an approved automatic fire-extinguishing system.

903.2.11.9 Buildings Over 5,000 sq. ft. An automatic sprinkler system shall be installed throughout all buildings with a building area 5,000 sq. ft. or greater and in all existing buildings that are enlarged to be 6,000 sq. ft. or greater. For the purpose of this provision, fire walls shall not define separate buildings.

Exception: Open parking garages in compliance with Section 406.5 of the International Building Code.

****Section 903.3.1.1.1; change to read as follows:**

903.3.1.1.1 Exempt Locations. When approved by the fire code official, automatic sprinklers shall not be required in the following rooms or areas where such ... {text unchanged}... because it is damp, of fire-resistance-rated construction or contains electrical equipment.

1. Any room where the application of water, or flame and water, constitutes a serious life or fire hazard.
2. Any room or space where sprinklers are considered undesirable because of the nature of the contents, when approved by the code official.
3. Generator and transformer rooms, under the direct control of a public utility, separated from the remainder of the building by walls and floor/ceiling or roof/ceiling assemblies having a fire-resistance rating of not less than 2 hours.
4. ~~In rooms or areas that are of noncombustible construction with wholly noncombustible contents.~~
5. Fire service access Elevator machine rooms, and machinery spaces, and hoistways, other than pits where such sprinklers would not necessitate shunt trip requirements under any circumstances.
6. {Delete.}

*****Section 903.3.1.2.3; delete section and replace as follows:**

[F] Section 903.3.1.2.3 Attached Garages and Attics. Sprinkler protection is required in attached garages, and in the following attic spaces:

1. Attics that are used or intended for living purposes or storage shall be protected by an automatic sprinkler system.
2. Where fuel-fired equipment is installed in an unsprinklered attic, not fewer than one quick-response intermediate temperature sprinkler shall be installed above the equipment.
3. Attic spaces of buildings that are two or more stories in height above grade plane or above the lowest level of fire department vehicle access.
4. Group R-4, Condition 2 occupancy attics not required by Item 1 or 3 to have sprinklers shall comply with one of the following:
 - 4.1. Provide automatic sprinkler system protection.

- 4.2. Provide a heat detection system throughout the attic that is arranged to activate the building fire alarm system.
- 4.3. Construct the attic using noncombustible materials.
- 4.4. Construct the attic using fire-retardant-treated wood complying with Section 2303.2 of the International Building Code.
- 4.5. Fill the attic with noncombustible insulation.

****Section 903.3.1.3; change to read as follows:**

903.3.1.3 NFPA 13D Sprinkler Systems. *Automatic sprinkler systems* installed in one- and two-family *dwellings*; Group R-3; Group R-4, Condition 1; and *townhouses* shall be permitted to be installed throughout in accordance with NFPA 13D or in accordance with state law.

****Section 903.3.1.4; add to read as follows:**

[F] 903.3.1.4 Freeze protection. Freeze protection systems for automatic fire sprinkler systems shall be in accordance with the requirements of the applicable referenced NFPA standard and this section.

903.3.1.4.1 Attics. Only dry-pipe, preaction, or listed antifreeze automatic fire sprinkler systems shall be allowed to protect attic spaces.

Exception: Wet-pipe fire sprinkler systems shall be allowed to protect non-ventilated attic spaces where:

1. The attic sprinklers are supplied by a separate floor control valve assembly to allow ease of draining the attic system without impairing sprinklers throughout the rest of the building, and
2. Adequate heat shall be provided for freeze protection as per the applicable referenced NFPA standard, and
3. The attic space is a part of the building's thermal, or heat, envelope, such that insulation is provided at the roof deck, rather than at the ceiling level.

903.3.1.4.2 Heat trace/insulation. Heat trace/insulation shall only be allowed where approved by the fire code official for small sections of large diameter water-filled pipe.

****Section 903.3.5; add a second paragraph to read as follows:**

Water supply as required for such systems shall be provided in conformance with the supply requirements of the respective standards; however, every water-based fire protection system shall be designed with a 10 psi safety factor. Reference Section 507.4 for additional design requirements.

****Section 903.4; add a second paragraph after the exceptions to read as follows:**

Sprinkler and standpipe system water-flow detectors shall be provided for each floor tap to the sprinkler system and shall cause an alarm upon detection of water flow for more than 45 seconds. All control valves in the sprinkler and standpipe systems except for fire department hose connection valves shall be electrically supervised to initiate a supervisory signal at the central station upon tampering.

****Section 903.4.2; add second paragraph to read as follows:**

The alarm device required on the exterior of the building shall be a weatherproof horn/strobe notification appliance with a minimum 75 candela strobe rating, installed as close as practicable to the fire department connection.

****Section 905.2; change to read as follows:**

905.2 Installation Standard. Standpipe systems shall be installed in accordance with this section and NFPA 14. Manual dry standpipe systems shall be supervised with a minimum of 10 psig and a maximum of 40 psig air pressure with a high/low alarm.

*****Section 905.3; add Section 905.3.9 and exception to read as follows:**

905.3.9 Buildings Exceeding 10,000 sq. ft. In buildings exceeding 10,000 square feet in area per story and where any portion of the building's interior area is more than 200 feet (60960 mm) of travel, vertically and horizontally, from the nearest point of fire department vehicle access, Class I automatic wet or manual wet standpipes shall be provided.

Exceptions:

1. Automatic dry, semi-automatic dry, and manual dry standpipes are allowed as provided for in NFPA 14 where approved by the fire code official.
2. R-2 occupancies of four stories or less in height having no interior corridors.

****Section 905.4, change Item 1, 3, and 5, and add Item 7 to read as follows:**

1. In every required ~~interior~~-exit stairway, a hose connection shall be provided for each story above and below grade plane. Hose connections shall be located at an intermediate landing between stories, unless otherwise approved by the fire code official.
2. {No change.}
3. In every exit passageway, at the entrance from the exit passageway to other areas of a building.

Exception: Where floor areas adjacent to an exit passageway are reachable from an

- ~~interior~~ exit stairway hose connection by a {remainder of text unchanged}
4. {No change.}
 5. Where the roof has a slope less than four units vertical in 12 units horizontal (33.3-percent slope), each standpipe shall be provided with a two-way a-hose connection shall be located to serve the roof or at the highest landing of an interior exit stairway with stair access to the roof provided in accordance with Section 1011.12.
 6. {No change.}
 7. When required by this Chapter, standpipe connections shall be placed adjacent to all required exits to the structure and at two hundred feet (200') intervals along major corridors thereafter, or as otherwise approved by the fire code official.

****Section 905.9; add a second paragraph after the exceptions to read as follows:**

Sprinkler and standpipe system water-flow detectors shall be provided for each floor tap to the sprinkler system and shall cause an alarm upon detection of water flow for more than 45 seconds. All control valves in the sprinkler and standpipe systems except for fire department hose connection valves shall be electrically supervised to initiate a supervisory signal at the central station upon tampering.

****Section 907.1; add Section 907.1.4 and 907.1.4.1 to read as follows:**

907.1.4 Design Standards. Where a new fire alarm system is installed, the devices shall be addressable. Fire alarm systems utilizing more than 20 smoke detectors shall have analog initiating devices.

****Section 907.2.1; change to read as follows:**

907.2.1 Group A. A manual fire alarm system that activates the occupant notification system in accordance with Section 907.5 shall be installed in Group A occupancies ~~where the~~ having an occupant load ~~due to the assembly occupancy is of~~ of 300 or more persons, or where the ~~Group A~~ occupant load is more than 100 persons above or below the *lowest level of exit discharge*. Group A occupancies not separated from one another in accordance with Section 707.3.-10 of the *International Building Code* shall be considered as a single occupancy for the purposes of applying this section. Portions of Group E occupancies occupied for assembly purposes shall be provided with a fire alarm system as required for the Group E occupancy.

Exception: {No change.}

Activation of fire alarm notification appliances shall:

1. Cause illumination of the *means of egress* with light of not less than 1 foot-candle (11 lux) at the walking surface level, and
2. Stop any conflicting or confusing sounds and visual distractions.

****Section 907.2.3; change to read as follows:**

907.2.3 Group E. A manual fire alarm system that initiates the occupant notification signal utilizing an emergency voice/alarm communication system meeting the requirements of Section 907.5.2.2 and installed in accordance with Section 907.6 shall be installed in Group E educational occupancies. When *automatic sprinkler systems* or smoke detectors are installed, such systems or detectors shall be connected to the building fire alarm system. An approved smoke detection system shall be installed in Group E day care occupancies. Unless separated by a minimum of 100' open space, all buildings, whether portable buildings or the main building, will be considered one building for alarm occupant load consideration and interconnection of alarm systems.

Exceptions:

1. {No change.}
- 1.1. Residential In-Home day care with not more than 12 children may use interconnected single station detectors in all habitable rooms. (For care of more than five children 2 1/2 or less years of age, see Section 907.2.6.)
{No change to remainder of exceptions.}

****Section 907.2.12, Exception 3; change to read as follows:**

3. Open air portions of buildings with an occupancy in Group A-5 in accordance with Section 303.1 of the *International Building Code*; however, this exception does not apply to accessory uses including but not limited to sky boxes, restaurants, and similarly enclosed areas.

****Section 907.4.2; add Section 907.4.2.7 to read as follows:**

907.4.2.7 Type. Manual alarm initiating devices shall be an approved double action type.

****Section 907.6.1; add Section 907.6.1.1 to read as follows:**

907.6.1.1 Wiring Installation. All fire alarm systems shall be installed in such a manner that a failure of any single initiating device or single open in an initiating circuit conductor will not interfere with the normal operation of other such devices. All signaling line circuits (SLC) shall be installed in such a way that a single open will not interfere with the operation of any addressable devices (Class A). Outgoing and return SLC conductors shall be installed in accordance with NFPA 72 requirements for Class A circuits and shall have a minimum of four feet separation horizontal and one foot vertical between supply and return circuit conductors. The initiating device circuit (IDC) from a signaling line circuit interface device may be wired Class B, provided the distance from the interface device to the initiating device is ten feet or less.

****Section 907.6.3; delete all four Exceptions.**

(Reason: To assist responding personnel in locating the emergency event for all fire alarm systems. This is moved from 907.6.5.3 in the 2012 IFC and reworded to match new code language and sections.)

****Section 907.6.6; – add sentence at end of paragraph to read as follows:**

See 907.6.3 for the required information transmitted to the supervising station.

****Section 909.22; add to read as follows:**

909.22 Stairway or Ramp Pressurization Alternative. Where the building is equipped throughout with an automatic sprinkler system in accordance with Section 903.3.1.1 and the stair pressurization alternative is chosen for compliance with Building Code requirements for a smokeproof enclosure, interior exit stairways or ramps shall be pressurized to a minimum of 0.10 inches of water (25 Pa) and a maximum of 0.35 inches of water (87 Pa) in the shaft relative to the building measured with all interior exit stairway and ramp doors closed under maximum anticipated conditions of stack effect and wind effect. Such systems shall comply with Section 909, including the installation of a separate fire-fighter's smoke control panel as per Section 909.16, and a Smoke Control Permit shall be required from the fire department as per Section 105.7.

909.22.1 Ventilating equipment. The activation of ventilating equipment for the stair or ramp pressurization system shall be by smoke detectors installed at each floor level at an approved location at the entrance to the smokeproof enclosure. When the closing device for the stairway or ramp shaft and vestibule doors is activated by smoke detection or power failure, the mechanical equipment shall activate and operate at the required performance levels. Smoke detectors shall be installed in accordance with Section 907.3.

909.22.1.1 Ventilation Systems. Smokeproof enclosure ventilation systems shall be independent of other building ventilation systems. The equipment, control wiring, power wiring and ductwork shall comply with one of the following:

1. Equipment, control wiring, power wiring and ductwork shall be located exterior to the building and directly connected to the smokeproof enclosure or connected to the smokeproof enclosure by ductwork enclosed by not less than 2-hour fire barriers constructed in accordance with Section 707 of the Building Code or horizontal assemblies constructed in accordance with Section 711 of the Building Code, or both.
2. Equipment, control wiring, power wiring and ductwork shall be located within the smokeproof enclosure with intake or exhaust directly from and to the outside or through ductwork enclosed by not less than 2-hour barriers constructed in accordance with Section 707 of the Building Code or horizontal assemblies constructed in accordance with Section 711 of the Building Code, or both.

3. Equipment, control wiring, power wiring and ductwork shall be located within the building if separated from the remainder of the building, including other mechanical equipment, by not less than 2-hour fire barriers constructed in accordance with Section 707 of the Building Code or horizontal assemblies constructed in accordance with Section 711 of the Building Code, or both.

Exceptions:

1. Control wiring and power wiring utilizing a 2-hour rated cable or cable system.
2. Where encased with not less than 2 inches (51 mm) of concrete.
3. Control wiring and power wiring protected by a listed electrical circuit protective systems with a fire-resistance rating of not less than 2 hours.

909.21.1.2 Standby Power. Mechanical vestibule and stairway and ramp shaft ventilation systems and automatic fire detection systems shall be provided with standby power in accordance with Section 2702 of the Building Code.

909.22.1.3 Acceptance and Testing. Before the mechanical equipment is approved, the system shall be tested in the presence of the fire code official to confirm that the system is operating in compliance with these requirements.

*****Section 910.2; change Exception 2. and 3.to read as follows:***

2. Only manual smoke and heat removal shall not be required in areas of buildings equipped with early suppression fast-response (ESFR) sprinklers. Automatic smoke and heat removal is prohibited.
3. Only manual smoke and heat removal shall not be required in areas of buildings equipped with control mode special application sprinklers with a response time index of $50(m^*S)^{1/2}$ or less that are listed to control a fire in stored commodities with 12 or fewer sprinklers. Automatic smoke and heat removal is prohibited.

*****Section 910.2; add subsections 910.2.3 with exceptions to read as follows:***

910.2.3 Group H. Buildings and portions thereof used as a Group H occupancy as follows:

1. In occupancies classified as Group H-2 or H-3, any of which are more than 15,000 square feet (1394 m²) in single floor area.

Exception: Buildings of noncombustible construction containing only noncombustible materials.

2. In areas of buildings in Group H used for storing Class 2, 3, and 4 liquid and solid oxidizers, Class 1 and unclassified detonable organic peroxides, Class 3 and 4 unstable (reactive) materials, or Class 2 or 3 water-reactive materials as required for a high-hazard commodity classification.

Exception: Buildings of noncombustible construction containing only noncombustible materials.

****Section 910.3; add section 910.3.4 to read as follows:**

910.3.4 Vent Operation. Smoke and heat vents shall be capable of being operated by approved automatic and manual means. Automatic operation of smoke and heat vents shall conform to the provisions of Sections 910.3.2.1 through 910.3.2.3.

910.3.4.1 Sprinklered buildings. Where installed in buildings equipped with an approved automatic sprinkler system, smoke and heat vents shall be designed to operate automatically.

The automatic operating mechanism of the smoke and heat vents shall operate at a temperature rating at least 100 degrees F (approximately 38 degrees Celsius) greater than the temperature rating of the sprinklers installed.

Exception: Manual only systems per Section 910.2.

910.3.4.2 Nonsprinklered Buildings. Where installed in buildings not equipped with an approved automatic sprinkler system, smoke and heat vents shall operate automatically by actuation of a heat-responsive device rated at between 100°F (56°C) and 220°F (122°C) above ambient.

Exception: Listed gravity-operated drop out vents.

****Section 910.4.3.1; change to read as follows:**

910.4.3.1 Makeup Air. Makeup air openings shall be provided within 6 feet (1829 mm) of the floor level. Operation of makeup air openings shall be ~~manual or~~ automatic. The minimum gross area of makeup air inlets shall be 8 square feet per 1,000 cubic feet per minute (0.74 m² per 0.4719 m³/s) of smoke exhaust.

****Section 912.2; add Section 912.2.3 to read as follows:**

912.2.3 Hydrant Distance. An approved fire hydrant shall be located within 50 feet of the fire department connection as the fire hose lays along an unobstructed path.

****Section 913.2.1; add second paragraph and exception to read as follows:**

When located on the ground level at an exterior wall, the fire pump room shall be provided with an exterior fire department access door that is not less than 3 ft. in width and 6 ft. – 8 in. in height, regardless of any interior doors that are provided. A key box shall be provided at this door, as required by Section 506.1.

Exception: When it is necessary to locate the fire pump room on other levels or not at an exterior wall, the corridor leading to the fire pump room access from the exterior of the building shall be provided with equivalent fire resistance as that required for the pump room, or as approved by the fire code official. Access keys shall be provided in the key box as required by Section 506.1.

****Section 914.3.1.2; change to read as follows:**

914.3.1.2 Water Supply to required Fire Pumps. In buildings that are more than 420 120 feet (37 m) in *building height*, required fire pumps shall be supplied by connections to no fewer than two water mains located in different streets. Separate supply piping shall be provided between each connection to the water main and the pumps. Each connection and the supply piping between the connection and the pumps shall be sized to supply the flow and pressure required for the pumps to operate.

Exception: {No change to exception.}

****Section 1006.2.2.7; Add Section 1006.2.2.7 as follows:**

1006.2.2.7 Electrical Rooms. For electrical rooms, special exiting requirements may apply. Reference the electrical code as adopted.

****Section 1009.8; add the following Exception 7:**

Exceptions:

7. Buildings regulated under State Law and built in accordance with State registered plans, including variances or waivers granted by the State, shall be deemed to be in compliance with the requirements of Section 1009 and chapter 11.

****Section 1010.1.9.5 Bolt Locks; amend exceptions 3 and 4 as follows:**

Exceptions:

3. Where a pair of doors serves an occupant load of less than 50 persons in a Group B, F, M or S occupancy. (Remainder unchanged)
4. Where a pair of doors serves a Group A, B, F, M or S occupancy (remainder unchanged)

****Section 1020.1 Construction; add exception 6 to read as follows:**

6. In group B occupancies, corridor walls and ceilings need not be of fire-resistive construction within a single tenant space when the space is equipped with approved automatic smoke-detection within the corridor. The actuation of any detector must activate self-annunciating alarms audible in all areas within the corridor. Smoke detectors

must be connected to an approved automatic fire alarm system where such system is provided.

****Section 1029.1.1.1 Spaces under grandstands and bleachers; delete this section.**

****Section 1031.2; change to read as follows:**

1031.2 Reliability. Required *exit accesses, exits and exit discharges* shall be continuously maintained free from obstructions or impediments to full instant use in the case of fire or other emergency ~~where the building area served by the means of egress is occupied.~~ An *exit or exit passageway* shall not be used for any purpose that interferes with a means of egress.

****Section 1103.3; add sentence to end of paragraph as follows:**

Provide emergency signage as required by Section 606.3.

*****Section 1103.5.1: add sentence to read as follows:**

Fire sprinkler system installation shall be completed within 24 months from date of notification by the fire code official.

****Section 1103.5; add Section 1103.5.5 to read as follows:**

1103.5.5 Spray Booths and Rooms. Existing spray booths and spray rooms shall be protected by an approved automatic fire-extinguishing system in accordance with Section 2404.

*****Section 1103.7; add Section 1103.7.7 and 1103.7.7.1 to read as follows:**

1103.7.7 Fire Alarm System Design Standards. Where an existing fire alarm system is upgraded or replaced, the devices shall be addressable. Fire alarm systems utilizing more than 20 smoke and/or heat detectors shall have analog initiating devices.

Exception: Existing systems need not comply unless the total building, or fire alarm system, remodel or expansion exceeds 30% of the building. When cumulative building, or fire alarm system, remodel or expansion initiated after the date of original fire alarm panel installation exceeds 50% of the building, or fire alarm system, the fire alarm system must comply within 18 months of permit application.

1103.7.7.1 Communication requirements. Refer to Section 907.6.6 for applicable requirements.

***Section 1203; change and add to read as follows:

1203.1.1 {No change.}

1203.1.2 {No change.}

1203.1.3 Emergency power systems and standby power systems shall be installed in accordance with the *International Building Code*, NFPA 70, NFPA 110 and NFPA 111. Existing installations shall be maintained in accordance with the original approval, except as specified in Chapter 11.

1203.1.4 through 1203.1.9 {No changes to these sections.}

1203.1.10 Critical Operations Power Systems (COPS). For Critical Operations Power Systems necessary to maintain continuous power supply to facilities or parts of facilities that require continuous operation for the reasons of public safety, emergency management, national security, or business continuity, see NFPA 70.

1203.2 Where Required. Emergency and standby power systems shall be provided where required by Sections 1203.2.1 through 1203.2.4~~26~~ or elsewhere identified in this code or any other referenced code.

1203.2.1 through 1203.2.3 {No change.}

1203.2.4 Emergency Voice/alarm Communications Systems. Emergency power shall be provided for emergency voice/alarm communications systems in the following occupancies, or as specified elsewhere in this code, as required in Section 907.5.2.2.5. The system shall be capable of powering the required load for a duration of not less than 24 hours, as required in NFPA 72.

Covered and Open Malls, Section 907.2.19 and 914.2.3

Group A Occupancies, Sections 907.2.1 and 907.5.2.2.4.

Special Amusement Buildings, Section 907.2.11

High-rise Buildings, Section 907.2.12

Atriums, Section 907.2.13

Deep Underground Buildings, Section 907.2.18

1203.2.5 through 1203.2.13 {No change.}

1203.2.14 Means of Egress Illumination. Emergency power shall be provided for *means of egress* illumination in accordance with Sections 1008.3 and 1104.5.1. (90 minutes)

1203.2.15 Membrane Structures. Emergency power shall be provided for exit signs in temporary tents and membrane structures in accordance with Section 3103.12.6. (90 minutes) Standby power shall be provided for auxiliary inflation systems in permanent membrane structures in accordance with Section 2702 of the *International Building Code*. (4 hours) Auxiliary inflation systems shall be provided in temporary air-supported and air-inflated membrane structures in accordance with section 3103.10.4.

1203.2.16 {No change.}

1203.2.17 Smoke Control Systems. Standby power shall be provided for smoke control systems in the following occupancies, or as specified elsewhere in this code, as required in Section 909.11:

Covered Mall Building, *International Building Code*, Section 402.7

Atriums, *International Building Code*, Section 404.7
Underground Buildings, *International Building Code*, Section 405.8
Group I-3, *International Building Code*, Section 408.4.2
Stages, *International Building Code*, Section 410.2.5
Special Amusement Buildings (as applicable to Group A's), *International Building Code*, Section 411.1
Smoke Protected Seating, Section 1029.6.2.

1203.2.18 {No change.}

1203.2.19 Covered and Open Mall Buildings. Emergency power shall be provided in accordance with Section 907.2.19 and 914.2.3.

1203.2.20 Airport Traffic Control Towers. A standby power system shall be provided in airport traffic control towers more than 65 ft. in height. Power shall be provided to the following equipment:

1. Pressurization equipment, mechanical equipment and lighting.
2. Elevator operating equipment.
3. Fire alarm and smoke detection systems.

1203.2.21 Smokeproof Enclosures and Stair Pressurization Alternative. Standby power shall be provided for smokeproof enclosures, stair pressurization alternative and associated automatic fire detection systems as required by the *International Building Code*, Section 909.20.6.2.

1203.2.22 Elevator Pressurization. Standby power shall be provided for elevator pressurization system as required by the *International Building Code*, Section 909.21.5.

1203.2.23 Elimination of Smoke Dampers in Shaft Penetrations. Standby power shall be provided when eliminating the smoke dampers in ducts penetrating shafts in accordance with the *International Building Code*, Section 717.5.3, exception 2.3.

1203.2.24 Common Exhaust Systems for Clothes Dryers. Standby power shall be provided for common exhaust systems for clothes dryers located in multistory structures in accordance with the *International Mechanical Code*, Section 504.10, Item 7.

1203.2.25 Hydrogen Cutoff Rooms. Standby power shall be provided for mechanical ventilation and gas detection systems of Hydrogen Cutoff Rooms in accordance with the *International Building Code*, Section 421.

1203.2.26 Means of Egress Illumination in Existing Buildings. Emergency power shall be provided for *means of egress* illumination in accordance with Section 1104.5 when required by the fire code official. (90 minutes in I-2, 60 minutes elsewhere.)

1203.3 through 1203.6 {No change.}

1203.7 Energy Time Duration. Unless a time limit is specified by the fire code official, in this chapter or elsewhere in this code, or in any other referenced code or standard, the emergency and standby power system shall be supplied with enough fuel or energy storage capacity for not less than 2-hour full-demand operation of the system.

Exception: Where the system is supplied with natural gas from a utility provider and is approved.

****Section 2304.1; change to read as follows:**

2304.1 Supervision of Dispensing. The dispensing of fuel at motor fuel-dispensing

facilities shall be conducted by a qualified attendant or shall be under the supervision of a qualified attendant at all times or shall be in accordance with Section 2204.3. the following:

1. Conducted by a qualified attendant; and/or,
2. Shall be under the supervision of a qualified attendant; and/or
3. Shall be an unattended self-service facility in accordance with Section 2304.3.

At any time the qualified attendant of item Number 1 or 2 above is not present, such operations shall be considered as an unattended self-service facility and shall also comply with Section 2304.3.

****Section 2401.2; delete this section.**

*****Section 3103.3.1; delete this section.**

****Table 3206.2, footnote h; change text to read as follows:**

- h. ~~Not required~~ Where storage areas are protected by either early suppression fast response (ESFR) sprinkler systems or control mode special application sprinklers with a response time index of 50 (m • s) 1/2 or less that are listed to control a fire in the stored commodities with 12 or fewer sprinklers, installed in accordance with NFPA 13, manual smoke and heat vents or manually activated engineered mechanical smoke exhaust systems shall be required within these areas.

*****Table 3206.2, footnote j; add footnote j to row titled 'High Hazard' and 'Greater than 300,000' to read as follows:**

- j. High hazard high-piled storage areas shall not exceed 500,000 square feet. A 2-hour fire wall constructed in accordance with Section 706 of the *International Building Code* shall be used to divide high-piled storage exceeding 500,000 square feet in area.

****Section 3310.1; add sentence to end of paragraph to read as follows:**

When fire apparatus access roads are required to be installed for any structure or development, they shall be approved prior to the time at which construction has progressed beyond completion of the foundation of any structure.

****Section 5601.1.3; change to read as follows:**

5601.1.3 Fireworks. The possession, manufacture, storage, sale, handling, and use of fireworks are prohibited.

Exceptions:

1. Only when approved for fireworks displays, storage, and handling of fireworks as allowed in Section 5604 and 5608.
2. ~~Manufacture, assembly and testing of fireworks as allowed in Section 5605.~~
3. ~~2.~~ The use of fireworks for approved fireworks displays as allowed in Section 5608.
4. ~~The possession, storage, sale... {Delete remainder of text.}~~

****Section 5703.6; add a sentence to read as follows:**

5703.6 Piping Systems. Piping systems, and their component parts, for flammable and combustible liquids shall be in accordance with Sections 5703.6.1 through 5703.6.11. An approved method of secondary containment shall be provided for underground tank and piping systems.

****Section 5704.2.11.4; add a sentence to read as follows:**

5704.2.11.4 Leak Prevention. Leak prevention for underground tanks shall comply with Sections 5704.2.11.4.1 and 5704.2.11.4.2 through 5704.2.11.4.3. An approved method of secondary containment shall be provided for underground tank and piping systems.

****Section 5704.2.11.4.2; change to read as follows:**

5704.2.11.4.2 Leak Detection. Underground storage tank systems shall be provided with an *approved* method of leak detection from any component of the system that is designed and installed in accordance with NFPA 30 and as specified in Section 5704.2.11.4.3.

****Section 5704.2.11.4.3; add Section 5704.2.11.4.3 to read as follows:**

5704.2.11.4.3 Observation Wells. Approved sampling tubes of a minimum 4 inches in diameter shall be installed in the backfill material of each underground flammable or combustible liquid storage tank. The tubes shall extend from a point 12 inches below the average grade of the excavation to ground level and shall be provided with suitable

surface access caps. Each tank site shall provide a sampling tube at the corners of the excavation with a minimum of 4 tubes. Sampling tubes shall be placed in the product line excavation within 10 feet of the tank excavation and one every 50 feet routed along product lines towards the dispensers, a minimum of two are required.

****Section 5707.4; add paragraph to read as follows:**

Mobile fueling sites shall be restricted to commercial, industrial, governmental, or manufacturing, where the parking area having such operations is primarily intended for employee vehicles. Mobile fueling shall be conducted for fleet fueling or employee vehicles only, not the general public. Commercial sites shall be restricted to office-type or similar occupancies that are not primarily intended for use by the public.

****Section 6103.2.1; add Section 6103.2.1.8 to read as follows:**

6103.2.1.8 Jewelry Repair, Dental Labs and Similar Occupancies. Where natural gas service is not available, portable LP-Gas containers are allowed to be used to supply approved torch assemblies or similar appliances. Such containers shall not exceed 20-pound (9.0 kg) water capacity. Aggregate capacity shall not exceed 60-pound (27.2 kg) water capacity. Each device shall be separated from other containers by a distance of not less than 20 feet.

****Section 6104.2, Exception; add an exception 2 to read as follows:**

Exceptions:

1. {existing text unchanged}
2. Except as permitted in Sections 308 and 6104.3.2, LP-gas containers are not permitted in residential areas.

****Section 6104.3; add Section 6104.3.3 to read as follows:**

6104.3.3 Spas, Pool Heaters, and Other Listed Devices. Where natural gas service is not available, an LP-gas container is allowed to be used to supply spa and pool heaters or other listed devices. Such container shall not exceed 250-gallon water capacity per lot. See Table 6104.3 for location of containers.

Exception: Lots where LP-gas can be off-loaded wholly on the property where the tank is located may install up to 500 gallon above ground or 1,000 gallon underground approved containers.

****Section 6107.4 and 6109.13; change to read as follows:**

6107.4 Protecting Containers from Vehicles. Where exposed to vehicular damage due to proximity to alleys, driveways or parking areas, LP-gas containers, regulators and piping shall be protected in accordance with ~~NEPA 58~~ Section 312.

6109.13 Protection of Containers. LP-gas containers shall be stored within a suitable enclosure or otherwise protected against tampering. Vehicle impact protection shall be provided as required by Section 6107.4.

Exception: ~~Vehicle impact protection shall not be required for protection of LP-gas containers where the containers are kept in lockable, ventilated cabinets of metal construction.~~

**** {Applicable to those jurisdictions adopting Appendix B}
Table B105.2; change footnote a. to read as follows:**

a. The reduced fire-flow shall be not less than ~~4,000~~ 1,500 gallons per minute.

Sec. 6-31. Electric Code

The National Electric Code 2020 edition, as amended herein, is hereby adopted as the building code of the City. A copy of such code will be kept in the City Secretary's office and be available for public inspection at all times during regular hours.

(h) Amendments

The following sections, paragraphs, and sentences, of the National Electric code, 2020 edition, are hereby amended to read as follows:

****Article 100; add the following to definitions:**

Engineering Supervision. Supervision by a Qualified State of Texas Licensed Professional Engineer engaged primarily in the design or maintenance of electrical installations.

****Article 110.2; change the following to read as follows:**

110.2 Approval. The conductors and equipment required or permitted by this *Code* shall be acceptable only if approved. Approval of equipment may be evident by listing and labeling of equipment by a Nationally Recognized Testing Lab (NRTL) with a certification mark of that laboratory or a qualified third party inspection agency or a field evaluation by a Field Evaluation Body accredited by either the International Code Council International Accreditation Service AC354 or ANSI National Accreditation Board programs and approved by the AHJ.

Exception: Unlisted equipment that is relocated to another location within a jurisdiction or is field modified is subject to the approval by the AHJ. This approval may be by a field evaluation by a NRTL or qualified third-party inspection agency or a field evaluation by a Field Evaluation Body accredited by either the ICC IAS AC354 or ANAB programs and approved by the AHJ

~~Manufacturer's self-certification of any equipment shall not be used as a basis for approval by the AHJ.~~

Informational Note No 1: See 90.7, Examination of Equipment for Safety, and 110.3, Examination, Identification, Installation, and Use of Equipment. See definitions of *Approved, Identified, Labeled, and Listed*.

Informational Note No. 2: Manufacturer's self-certification of equipment may not necessarily comply with U.S. product safety standards as certified by an NRTL.

Informational Note No. 3: National Fire Protection Association (NFPA) 790 and 791 provide an example of an approved method for qualifying a third-party inspection agency.

*****Article 400.8 Field Identification Required: Change the following to read as follows**

408.4 Field Identification Required.

(A) Circuit Directory or Circuit Identification.

Every circuit and circuit modification shall be legibly identified as to its clear, evident, and specific purpose or use. The identification shall include an approved degree of detail that allows each circuit to be distinguished from all others. Spare positions that contain unused overcurrent devices or switches shall be described accordingly. The identification shall be included in a circuit directory that is located on the face or inside of, or in an approved location adjacent *and permanently affixed* the panel door in the case of a panelboard and at each switch or circuit breaker in a switchboard or switchgear. No circuit shall be described in a manner that depends on transient conditions of occupancy.

*****Article 410.118: Change the following to read as follows**

410.118 Access to other boxes.

Luminaires recessed in the ceilings, floors, or walls shall not be used to access outlet, pull, or junction boxes or conduit bodies, unless the box or conduit body is an integral part of the listed luminaire.

Exception: removable luminaires with a minimum measurement of 22 in. X 22 in. shall be permitted to be used as access to outlet, pull, junction boxes or conduit bodies.

*****Article 422.31 B: Change the following to read as follows**

422.31 B Appliances Rated over 300 Volt-Amperes

(B) Appliances Rated over 300 Volt-Amperes. For permanently connected appliances rated over 300 volt-amperes, the branch-circuit switch or circuit breaker shall be permitted to serve as the disconnecting means where the switch or circuit breaker is within sight from and is readily accessible to the appliance it serves or is capable of being locked in the open position in accordance with 110.25 and is readily accessible to the appliance it serves.

Informational Note No. 1: For appliances employing unit switches, see 422.34.

Informational Note No 2: The following means of access are considered to constitute readily accessible for this code change when conforming to the additional access requirements of the I Codes:

- (1) A permanent stair.
- (2) A pull-down stair with a minimum 300 lb. (136 kg) capacity.

- (3) An access door from an upper floor level.

****Article 500.8 (A) (3); change to read as follows:**

500.8 Equipment.

Articles 500 through 504 require equipment construction and installation that ensure safe performance under conditions of proper use and maintenance.

Informational Note No. 1: It is important that inspection authorities and users exercise more than ordinary care with regard to installation and maintenance.

Informational Note No. 2: Since there is no consistent relationship between explosion properties and ignition temperature, the two are independent requirements.

Informational Note No. 3: Low ambient conditions require special consideration. Explosion proof or dust-ignition proof equipment may not be suitable for use at temperatures lower than -25°C (-13°F) unless they are identified for low-temperature service. However, at low ambient temperatures, flammable concentrations of vapors may not exist in a location classified as Class I, Division 1 at normal ambient temperature.

(A) Suitability. Suitability of identified equipment shall be determined by one of the following:

- (1) Equipment listing or labeling;
- (2) Evidence of equipment evaluation from a qualified testing laboratory or inspection agency concerned with product evaluation; or,
- (3) Evidence acceptable to the authority having jurisdiction such as a manufacturer's self-evaluation or ~~an owner's engineering judgment.~~ an engineering judgment signed and sealed by a qualified Registered licensed Professional Engineer in the State of Texas.

Informational Note: Additional documentation for equipment may include certificates demonstrating compliance with applicable equipment standards, indicating special conditions of use, and other pertinent information.

****Article 505.7 (A) changed to read as follows:**

505.7 Special Precaution.

Article 505 requires equipment construction and installation that ensures safe performance under conditions of proper use and maintenance.

Informational Note No. 1: It is important that inspection authorities and users exercise more than ordinary care with regard to the installation and maintenance of electrical equipment in hazardous (classified) locations.

Informational Note No. 2: Low ambient conditions require special consideration. Electrical

equipment depending on the protection techniques described by 505.8(A) may not be suitable for use at temperatures lower than -20°C (-4°F) unless they are identified for use at lower temperatures. However, at low ambient temperatures, flammable concentrations of vapors may not exist in a location classified Class I, Zones 0, 1, or 2 at normal ambient temperature.

(A) Implementation of Zone Classification System. Classification of areas, engineering and design, selection of equipment and wiring methods, installation, and inspection shall be performed by a qualified persons Registered licensed Professional Engineer in the State of Texas.

*****Article 695.6 A 1: Change the following to read as follows**

695.6 (A) Supply Conductors.

(1) Services and On-Site Power Production Facilities.

Service conductors and conductors supplied by on-site power production facilities shall be physically routed outside a building(s) and shall be installed as service-entrance conductors in accordance with 230.6, 230.9, and Parts III and IV of Article 230. Where supply conductors cannot be physically routed outside of buildings, the conductors shall be permitted to be routed through the building(s) where installed in accordance with 230.6(1) or (2).

Exception: ~~The supply conductors within the fire pump room shall not be required to meet 230.6 (1) or (2)~~

*****Article 71.15 A: Change the following to read as follows**

710.15 General

710.15(A) Supply Output.

Power supply to premises wiring systems fed by stand-alone or isolated microgrid power sources shall be permitted to have less capacity than the calculated load. ~~The capacity of the sum of all sources of the stand-alone supply shall be equal to or greater than the load posed by the largest single utilization equipment connected to the system. Calculated general lighting loads shall not be considered as a single load have adequate capacity to meet the calculated load in accordance with Article 220.~~

~~Informational Note: For general-use loads the system capacity can be calculated using the sum of the capacity of the firm sources, such as generators and ESS inverters. For specialty loads intended to be powered directly from a variable source, the capacity can be calculated using the sum of the variable sources, such as PV or wind inverters, or the combined capacity of both firm and variable sources.~~

Sec. 6-32. Swimming Pool and Spa Code

The International Swimming Pool and Spa Code 2018 edition, as amended herein, is hereby adopted as the plumbing code of the City. A copy of such code will be kept in the City Secretary's office and will be available for public inspection at all times during regular hours.

(i) Amendments

The following sections, paragraphs, and sentences, of the International Swimming Pool and Spa code, 2018 edition, are hereby amended to read as follows:

**** Section R101.1 amend to insert the Department Name**

CITY OF FATE DEPARTMENT OF BUILDING SAFETY

R101.1 Title. These regulations shall be known as the Swimming pool and Spa code of the City of Fate department of Building Safety hereinafter referred to as "this code."

****Section 102.9; Change to read as follows:**

Section 102.9 Other laws. The provisions of this code shall not be deemed to nullify any provisions of local, state or federal law, to include but not limited to:

1. Texas Department of State Health Services (TDSHS); Standards for Public Pools and Spas; §285.181 through §285.208, (TDSHS rules do not apply to pools serving one- and two family dwellings or townhouses).
2. Texas Department of Licensing and Regulation (TDLR); 2012 Texas Accessibility Standards (TAS), TAS provide the scoping and technical requirements for accessibility for Swimming Pool, wading pools and spas and shall comply with 2012 TAS, Section 242. (TAS rules do not apply to pools serving one- and two family dwellings or townhouses).

Exception: Elements regulated under Texas Department of Licensing and Regulation (TDLR) and built in accordance with TDLR approved plans, including any variances or waivers granted by the TDLR, shall be deemed to be in compliance with the requirements of this Chapter.

****Section 103.1; Change to read as follows:**

Section 103.1 Creation of enforcement agency. The City of Fate department of Building Safety is hereby created and the official in charge thereof shall be known as the *code official*. The official in charge thereof shall be known as the *code official* for operation

and maintenance of any public swimming pool in accordance this code, local and state law.

****Section 107.4; Delete entirely (covered by general provisions in Code of Ordinances):**

****107.5; Change to read as follows:**

107.5 Stop work orders. Upon notice from the code official, work on any system that is being done contrary to the provisions of this code or in a dangerous or unsafe manner shall immediately cease. Such notice shall be in writing and shall be given to the owner of the property, or to the owner's agent, or to the person doing the work. The notice shall state the conditions under which work is authorized to resume. Where an emergency exists, the code official shall not be required to give a written notice prior to

stopping the work. Any person who shall continue any work in or about the structure after having been served with a stop work order, except such work as that person is directed to perform to remove a violation or unsafe condition, shall be in violation of this code. ~~liable to a fine of not less than [AMOUNT] dollars or more than [AMOUNT] dollars.~~

****Section 202; DEFINITIONS; insert definition; change to read as follows:**

The City of Fate Department of Building Safety regulates the operation of public pools. Routine inspections on pools and spas open to the public are conducted to document compliance with the standards set forth in State law.

*****Section 305; Change to read as follows:**

305.1 General.

The provisions of this section shall apply to the design of barriers for restricting entry into areas having pools and spas. In one-and two-family dwellings and townhouses, where spas or hot tubs are equipped with a lockable safety cover complying with ASTM F1346 and swimming pools are equipped with a powered safety cover that complies with ASTM F1346, the areas where those spas, hot tubs or pools are located shall not be required to comply with Sections 305.2 through 305.7.

****Section 305.2; Change to read as follows:**

305.2 Outdoor swimming pools and spas. Outdoor pools and spas and indoor swimming pools shall be surrounded by a barrier that complies with Sections 305.2.1 through 305.7 and in accordance with the Texas Administrative Code, Texas Health and Safety Code 757 for public pools.

**** Add subsection 305.2.7.1; to read as follows:**

305.2.7.1 Chain link fencing prohibited. Chain link fencing is not permitted as a barrier in public pools built after January 1, 1994.

****Section 305.4 structure wall as a barrier; Changes as follows:**

305.4 Structure wall as a barrier. Where a wall of a dwelling or structure of a one and two family dwelling or townhouse or its accessory structure serves as part of a barrier and where doors or windows provide direct access to the pool or spa through that wall, one of the following shall be required:

1. Remainder Unchanged
2. Remainder Unchanged
3. Remainder Unchanged

The wall of a building with windows in accordance with 2018 International Building Code, Section 1030 in Group R2 occupancies shall not be used as part of pool enclosure. Other windows that are part of a pool yard enclosure shall be permanently closed and unable to be opened for public pools.

****Section 305.6; Change to read as follows:**

305.6 Natural barriers used in a one and two family dwelling or townhouse. In the case where the pool or spa area abuts the edge of a lake or other natural body of water, public access is not permitted or allowed along the shoreline, and required barriers extend to and beyond the water's edge a minimum of eighteen (18) inches, a barrier is not required between the natural body of water shoreline and the pool or spa.

****Section 307.1.4 Accessibility; Add exception to Section to 307.1.4 as follows:**

Exception: Components of projects regulated by and registered with Architectural Barriers Division of Texas Department of Licensing and Regulation shall be deemed to be in compliance with the requirements of this chapter.

****Section 310; Change to read as follows:**

310.1 General. Suction entrapment avoidance for pools and spas shall be provided in accordance with APSP 7 or for public swimming pools in accordance with State of Texas Rules for Public Swimming Pools and Spas, Title 25 TAC Chapter 265 Subchapter L, Rule §265.190.

[Remainder unchanged]

****Section 313.7; Change to read as follows:**

313.7 Emergency shutoff switch for spas and hot tubs. ~~An emergency shutoff switch shall be provided to disconnect all power to recirculation and jet system pumps and air blowers. Emergency shutoff switches shall be provided with access; located within sight of pools and spas and located not less than 5 feet (5') horizontally from the inside walls of the pool or spa. A clearly labeled emergency shutoff or control switch for the purpose of stopping the motor(s) that provide power to the recirculation system and jet system shall be installed at a point readily accessible to the users and not less than 1.5 m (5 ft.) away, adjacent to, and within sight of the spa or hot tub. This requirement shall not apply to one and two family dwellings and townhouses.~~

Exception: ~~Onground storable and permanent inground residential swimming pools.~~

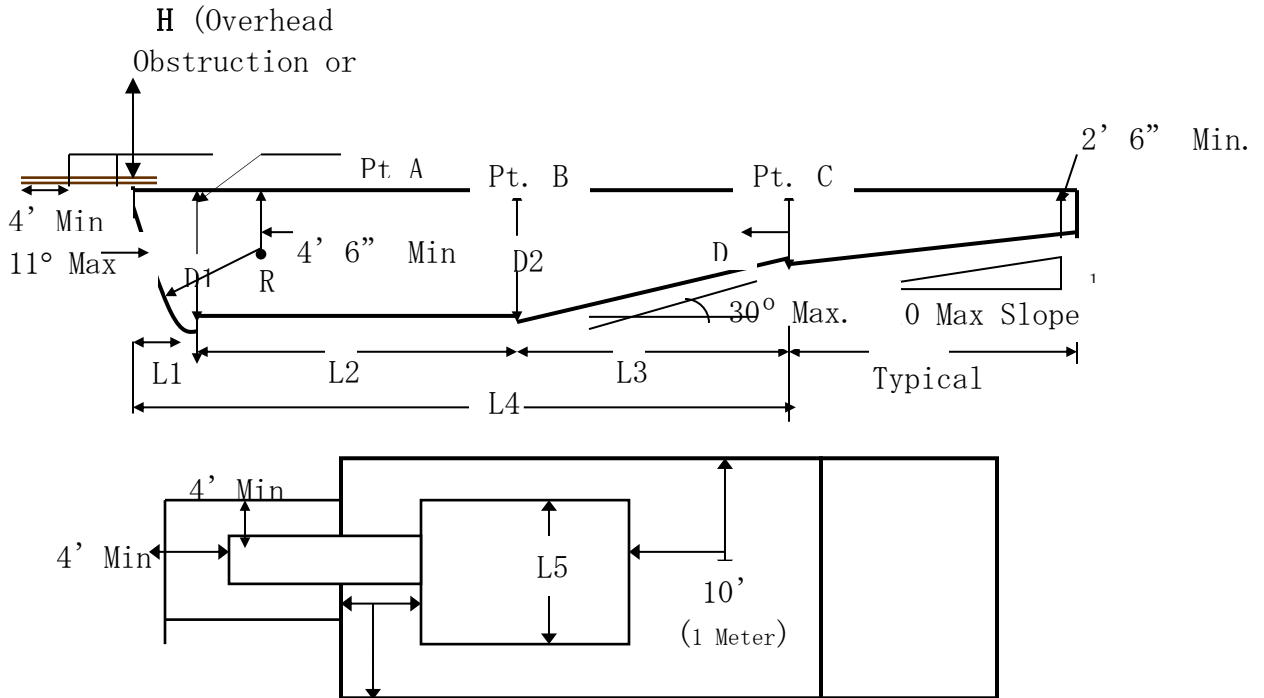
**** Section 402.12; Change to read as follows:**

402.12 Water envelopes. The minimum diving water envelopes shall be in accordance with ~~Table 402.12~~ **Texas department of State Health services, Administrative Code Title 25, Chapter 265, Section 186 (e) and Figure: 25 TAC 256.186 (e) (6).** (Delete Table 402.12 and Figure 402.12)

ADD: Figure: 25 TAC §265.186 (e) (6)

| Maximum Diving Board Height Over Water | ¾ Meter | 1 Meter | 3 Meters |
|----------------------------------------|---------------|---------------|---------------|
| Max. Diving Board Length | 12 ft. | 16 ft. | 16 ft. |
| Minimum Diving Board Overhang | 2 ft. 6 in. | 5 ft. | 5 ft. |
| D1 Minimum | 8 ft. 6 in. | 11 ft. 2 in. | 12 ft. 2 in. |
| D2 Minimum | 9 ft. | 10 ft. 10 in. | 11 ft. 10 in. |
| D3 Minimum | 4 ft. | 6 ft. | 6 ft. |
| L1 Minimum | 4 ft. | 5 ft. | 5 ft. |
| L2 Minimum | 12 ft. | 16 ft. 5 in. | 19 ft. 9 in. |
| L3 Minimum | 14 ft. 10 in. | 13 ft. 2 in. | 13 ft. 11 in. |
| L4 Minimum | 30 ft. 10 in. | 34 ft. 7 in. | 38 ft. 8 in. |
| L5 Minimum | 8 ft. | 10 ft. | 13 ft. |

| | | | |
|-----------------------------------|--------|--------|--------------|
| H Minimum | 16 ft. | 16 ft. | 16 ft. |
| From Plummet to Pool Wall at Side | 9 ft. | 10 ft. | 11 ft. 6 in. |
| From Plummet to Adjacent Plummet | 10 ft. | 10 ft. | 10 ft. |



****Section 402.13; Change to read as follows:**

402.13 Ladders for diving equipment. Ladders shall be provided with two grab rails or two handrails. There shall be a uniform distance between ladder treads, with a 7 inch (178 mm minimum) distance and 12 inch (305 mm) maximum distance. Supports, platforms, steps, and ladders for diving equipment shall be designed to carry the anticipated loads. Steps and ladders shall be of corrosion-resistant material, easily cleanable and with slip-resistant tread;

Exception: ~~The distance between treads for the top and bottom riser can vary.~~

****Section 411.2.1 & 411.2.2; Change to read as follows:**

411.2.1 Tread dimensions and area. Treads shall have a minimum unobstructed horizontal depth (i.e., horizontal run) of 12 inches and a minimum width of 20 inches. not be less than 24 inches (607mm) at the leading edge. Treads shall have an unobstructed surface area of not less than 240 square inches (154838mm²) and an unobstructed horizontal depth of not less than 10 inches (254 mm) at the center line.

411.2.2 Risers. Risers for steps shall have a maximum uniform height of 10 inches, with the bottom riser height allowed to taper to zero except for the bottom riser, shall have a uniform height of not greater than 12 inches (305 mm) measured at the center line. The bottom riser height is allowed to vary to the floor.

****Section 411.5.1 & 411.5.2; Change to read as follows:**

411.5.1 Swimouts. Swimouts, located in either the deep or shallow area of a pool, shall comply with all of the following:

1. Unchanged
2. Unchanged
3. Unchanged
4. The leading edge shall be visibly set apart and provided with a horizontal solid or broken stripe at least 1 inch wide on the top surface along the front leading edge of each step. This stripe shall be plainly visible to persons on the pool deck. The stripe shall be a contrasting color to the background on which it is applied, and the color shall be permanent in nature and shall be a slip-resistant surface

411.5.2 Underwater seats and benches. Underwater seats and benches, whether used alone or in conjunction with pool stairs, shall comply with all of the following:

1. Unchanged
2. Unchanged
3. Unchanged
4. Unchanged
5. The leading edge shall be visually set apart and provided with a horizontal solid or broken stripe at least 1 inch wide on the top surface along the front leading edge of each step. This stripe shall be
plainly visible to persons on the pool deck. The stripe shall be a contrasting color to the background on which it is applied, and the color shall be permanent in nature and shall be a slip-resistant surface.
6. Unchanged
7. Unchanged

****Section 603.2; Change to read as follows:**

603.2 Class D-2 pools. ~~Where a Class D-2 pool has a bather-accessible depth greater than 4 1/2 feet (1372 mm), the floor shall have a distinctive marking at the 4 1/2 feet (1372 mm) water depth.~~

Class A and B pools: Class A and B pools over 5 feet deep: the transition point of the pool from the shallow area to the deep area of the pool shall be visually set apart with a 4-inch minimum width row of floor tile, a painted line, or similar means using a color contrasting with the bottom; and a rope and float line shall be provided between 1 foot

and 2 feet on the shallow side of the 5-foot depth along and parallel to this depth from one side of the pool to the other side. The floats shall be spaced at not greater than 7-foot intervals; and the floats shall be secured so they will not slide or bunch up. The stretched float line shall be of sufficient size and strength to offer a good handhold and support loads normally imposed by users. If the owner or operator of the pool knows or should have known in the exercise of ordinary care that a rope or float is missing, broken, or defective, the problem shall be promptly remedied

****Section 610.5.1; Change to read:**

610.5.1 Uniform height of 9–10 inches. Except for the bottom riser, risers at the centerline shall have a maximum uniform height of 9-10 inches (~~229~~-254 mm). The bottom riser height shall be permitted to vary from the other risers.

*****Section 804 Diving Water Envelopes; Change to read as follows:**

Section 804.1 General. The minimum diving water envelopes shall be in accordance with Table 804.1 and Figure 804.1, or the manufacturer's specifications, whichever is greater. Negative construction tolerances shall not be applied to the dimensions of the minimum diving water envelopes given in Table 804.1.

Sec. 6-33. Existing Building Code

The International Existing Building Code 2018 edition, as amended herein, is hereby adopted as the plumbing code of the City. A copy of such code will be kept in the City Secretary's office and will be available for public inspection at all times during regular hours.

(j) Amendments

The following sections, paragraphs, and sentences, of the International Existing Building code 2018 edition, are hereby amended to read as follows:

****Section 102.4; change to read as follows:**

[A] 102.4 Referenced codes and standards. The codes, when specifically adopted, and standards referenced in this code shall be considered part of the requirements of this code to the prescribed extent of each such reference and as further regulated in Sections 102.4.1 and 102.4.2.

****Section 202; amend definition of Existing Building as follows:**

Existing Building - A building, structure, or space, with an approved final inspection issued under a code edition which is at least 2 published code editions preceding the currently adopted building code; or a change of occupancy.

****Section 202; amend definition of Existing Structure as follows:**

Existing Structure- A building, structure, or space, with an approved final inspection issued under a code edition which is at least 2 published code editions preceding the currently adopted building code; or a change of occupancy.

****Section 305.1; adds an exception to read as follows:**

Exception: Components of projects regulated by and registered with Architectural Barriers Division of Texas Department of Licensing and Regulation shall be deemed to be in compliance with the requirements of this chapter.

****Section 305.4.2; add Number 7 to the list of requirements as follows:**

7. At least one accessible family or assisted use toilet room shall be provided in accordance with Chapter 11 of the International Building Code.

***Section 401.3 Flood Hazard Areas; delete this section:

***Section 405.2.5 Flood Hazard Areas; delete this section:

**Section 406.1; add a code reference to read as follows:

406.1 Material. Existing electrical wiring and equipment undergoing *repair* shall be allowed to be repaired or replaced with like material, in accordance with the requirements of NFPA 70.

***Section 502.3 Flood Hazard Areas; delete this section:

**Section 504.1.2; change to read as follows:

504.1.2 Existing fire escapes. Existing fire escapes shall continue to be accepted as a component in the means of egress in existing buildings only. Existing fire escapes shall be permitted to be repaired or replaced.

**Section 504.1.3; delete entire section:

~~**504.1.3 New fire escapes.** New fire escapes for existing buildings shall be permitted only where exterior stairways cannot be utilized due to lot lines limiting stairway size or due to the sidewalks, alleys or roads at grade level. New fire escapes shall not incorporate ladders or access by windows.~~

***Section 507.3 Flood Hazard Areas; delete this section:

***Section 701.3 Flood Hazard Areas; delete this section:

**Section 702.6; add a code reference to read as follows:

702.6 Materials and methods. All new work shall comply with the materials and methods requirements in the *International Building Code*, *International Energy Conservation Code*, *International Mechanical Code*, National Electrical Code, and *International Plumbing Code*, as applicable, that specify material standards, detail of installation and connection, joints, penetrations, and continuity of any element, component, or system in the building.

*****Section 802.5.1; change to read as follows:**

802.5.1 Minimum requirement. Every portion of a floor, such as a balcony or a loading deck, open-sided walking surfaces, including mezzanines, equipment platforms, aisles, stairs, ramps and landings that is more than 30 inches (762 mm) above the floor or grade below and is not provided with guards, or those in which the existing guards are judged to be in danger of collapsing, shall be provided with guards.

****Section 803.1; add sentence to read as follows:**

For the purpose of fire sprinkler protection and fire alarm requirements included in this section, the work area shall be extended to include at least the entire tenant space or spaces bounded by walls capable of resisting the passage of smoke containing the subject work area, and if the work area includes a corridor, hallway, or other exit access, then such corridor, hallway, or other exit access shall be protected in its entirety on that particular floor level.

****Section 803.2.4; change exception to read as follows:**

Exception: Supervision is not required where the Fire Code does not require such for new construction

for the following:

- ~~1. Underground gate valve with roadway boxes.~~
- ~~2. Halogenated extinguishing systems.~~
- ~~3. Carbon dioxide extinguishing systems.~~
- ~~4. Dry and wet chemical extinguishing systems.~~
- ~~5. Automatic sprinkler systems installed in accordance with NFPA 13R where a common supply main is used to supply both domestic and automatic sprinkler systems and a separate shutoff valve for the automatic sprinkler system is not provided.~~

****Section 803.3; change section to read as follows:**

803.3 Standpipes. Refer to Section 1103.6 of the Fire Code for retroactive standpipe requirements.

{Delete rest of Section 804.3.}

****Section 805.2; remove Exception #1**

Exception 1. ~~Where the work area and the means of egress serving it complies with NFPA101.~~

****Section 805.3.1.2; change to read as follows:**

805.3.1.2 Fire Escapes required. ~~For other than Group I-2, where more than one exit is required an existing or newly constructed fire escape complying with section 805.3.1.2.1 shall be accepted as providing one of the required means of egress.~~

****Section 805.3.1.2.1; change to read as follows:**

805.3.1.2.1 Fire Escape access and details - ...

1. [Remain unchanged]
2. Access to a new fire escape shall be through a door...
3. **Item Deleted**
4. [Remain unchanged]
5. In all buildings of Group E occupancy up to and including the 12th grade, buildings of Group I occupancy, rooming boarding houses, and childcare centers, ladders of any type are prohibited on fire escapes used as a required means of egress.

*****Section 805.5.2 Transoms; add language to read as follows:**

805.5.2 Transoms. *In all buildings of Group B, E, [Remainder unchanged]*

****Section 904.1; add sentence to read as follows:**

For the purpose of fire sprinkler protection and fire alarm requirements included in this section, the work area shall be extended to include at least the entire tenant space or spaces bounded by walls containing the subject work area, and if the work area includes a corridor, hallway, or other exit access, then such corridor, hallway, or other exit access shall be protected in its entirety on that particular floor level.

****Section 904.1.1; change sentence to read as follows:**

904.1.1 High-rise buildings. An automatic sprinkler system shall be provided in work areas of where the high-rise buildings. has a sufficient municipal water supply for the design and installation of an automatic sprinkler system at the site.

